

**SPRING
TERMINAL BLOCK**

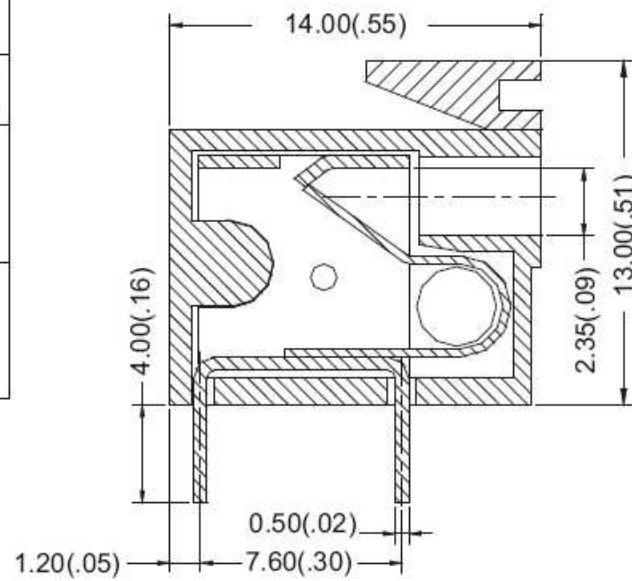
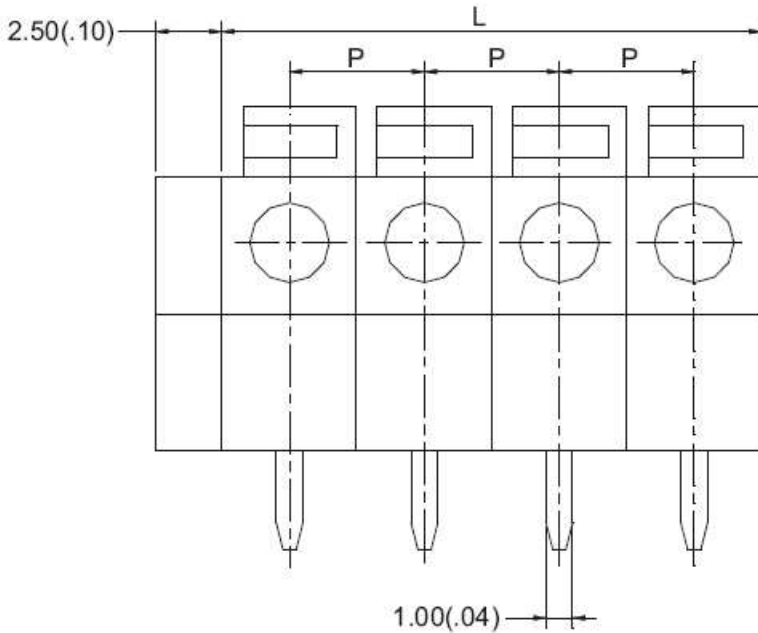
TYPE STB851

9

SPECIFICATIONS

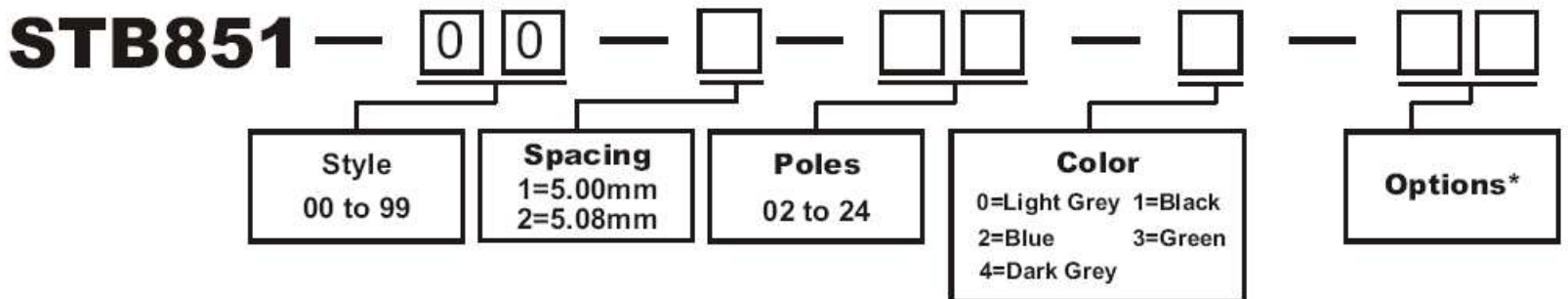
WIRE ENTRANCE:Parallel to PCB	WIRE PROTECTOR:.....Steel, Ni Plated
CENTER SPACING: 5.00mm / 0.197in.	TERMINAL:.....Brass, Tin Plated
WIRE RANGE:14~22 AWG	TEMPERAURE:
ELECTRICAL RATING:300V, 10A	OPERATING:-40°C to +105°C
BREAKDOWN VOLTAGE:4,000V	-40°F to + 221°F
MOLDING:Polyamide, UL94, V-0	MAX. SOLDERING:260°C , +500°F
Self Extinguishing	for 5 seconds

MECHANICAL DIMENSIONS



P = Center to Center Spacing
 Length of Connector (L)
 L = number of Poles X Center Spacing
 Dimensions: mm (in.)

ORDERING INFORMATION



Options*: M1~M9, For Customer Modification (Please provide sketch).
 If more than one option is required, please separate each option with a dash (-).