

**SPRING
TERMINAL BLOCK**



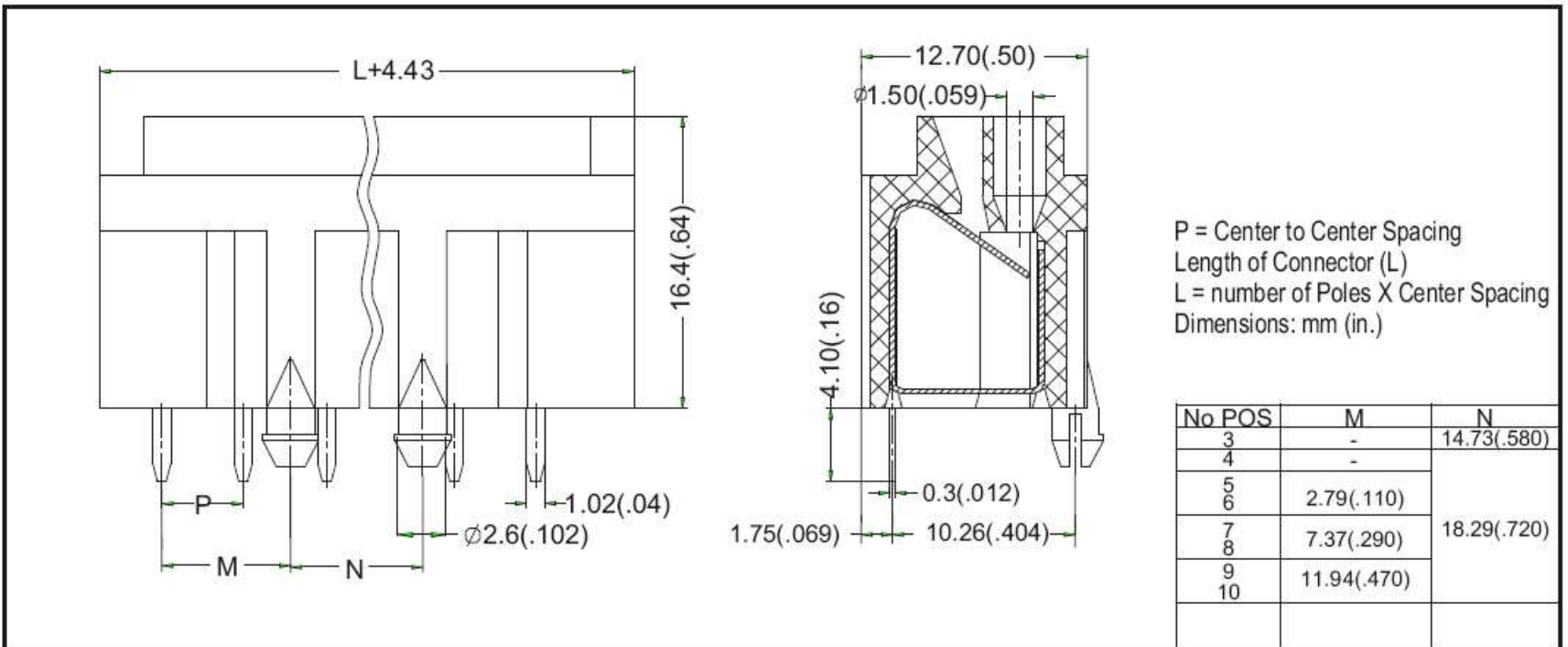
TYPE STB650



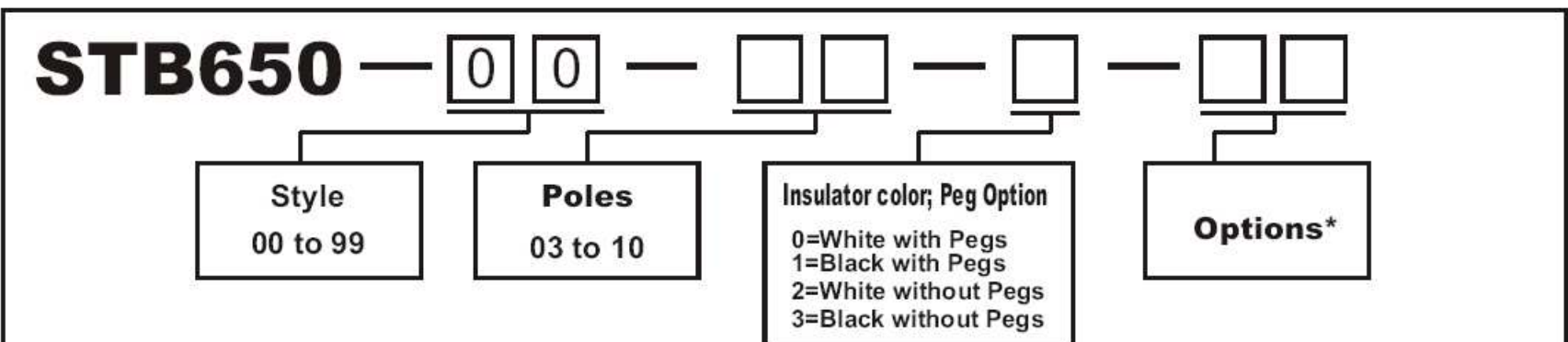
SPECIFICATIONS

WIRE ENTRANCE: Vertical to PCB	TERMINAL: Copper, Tin Plated
CENTER SPACING: 4.57mm / 0.18 in	Wire Retention Strength:..... 16 AWG - 18lbs
WIRE RANGE: 16--20 AWG	18 AWG - 15lbs
ELECTRICAL RATING: 600V, 9A	20 AWG - 10lbs
BREAKDOWN VOLTAGE: 4,000V	Operating Temperature:..... -40°C to +105°C
MOLDING: Polyester, UL94, V-0	Durability:..... 5 cycles
Self Extinguishing	

MECHANICAL DIMENSIONS



ORDERING INFORMATION



Options*: M1~M9, For Customer Modification (Please provide sketch).
If more than one option is required, please separate each option with a dash (-).