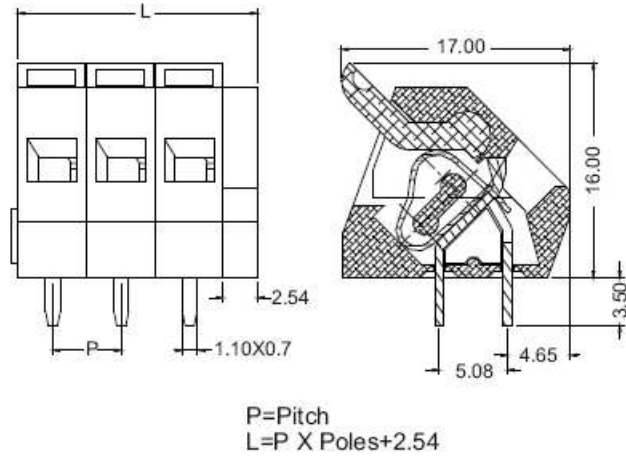




## STB508-00



### TECHNICAL DATA

PITCH	5.08mm
WIRE RANGE	26--12AWG
MAX. TORQUE	300V, 10A
ELETRICAL RATING	2,500V

### MATERIALS

BODY	PA66,UL94,V-0
TERMINAL	Purple Cuprum,Tin Plated
CAGE CLAMP	Stainless
OPERATING	-40°C ~ +105°C
PCB HOLE DIAMETER	ø1.5mm

Poles	L	Poles	L
02	7.62	18	68.58
03	11.43	19	72.39
04	15.24	20	76.20
05	19.05	21	80.01
06	22.86	22	83.82
07	26.67	23	87.63
08	30.48	24	91.44
09	34.29		
10	38.10		
11	41.91		
12	45.72		
13	49.53		
14	53.34		
15	57.15		
16	60.96		
17	64.77		

## ORDERING INFORMATION

Style                      Poles                      Color                      Options\*

**STB508** —   —   —  — M

00 to 99

02 to 24

Color	
0=Light Grey	1=Black
2=Blue	3=Green
4=Dark Grey	