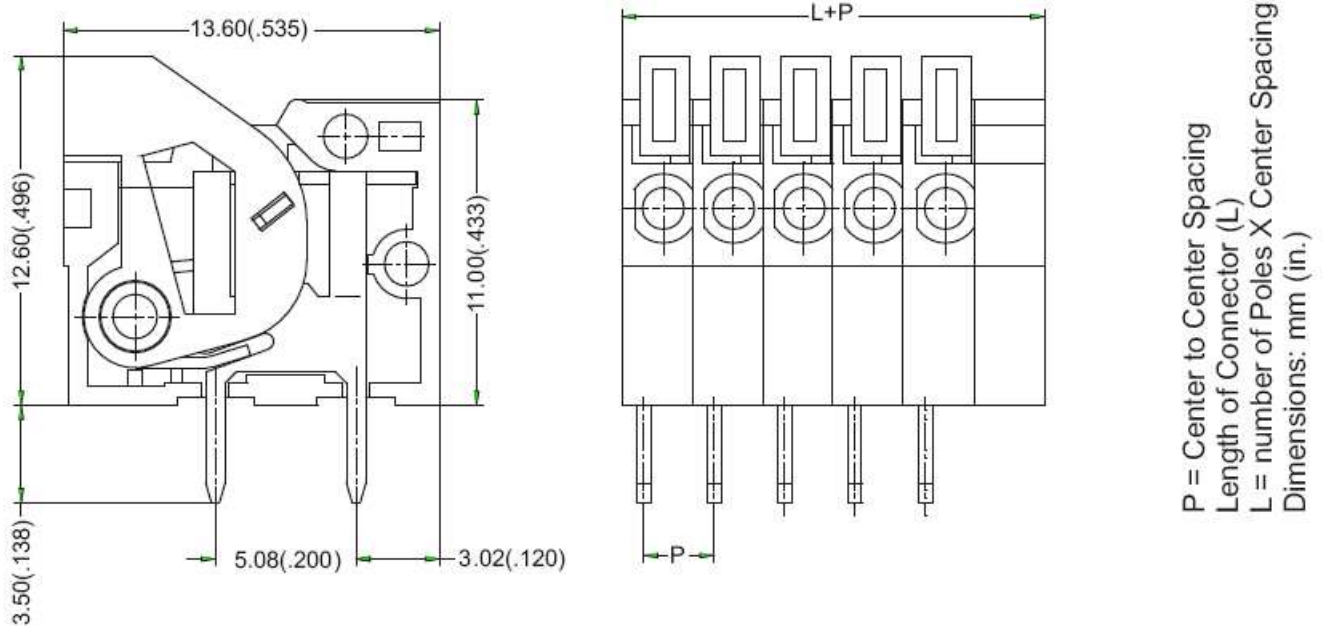


**SPRING
TERMINAL BLOCK**

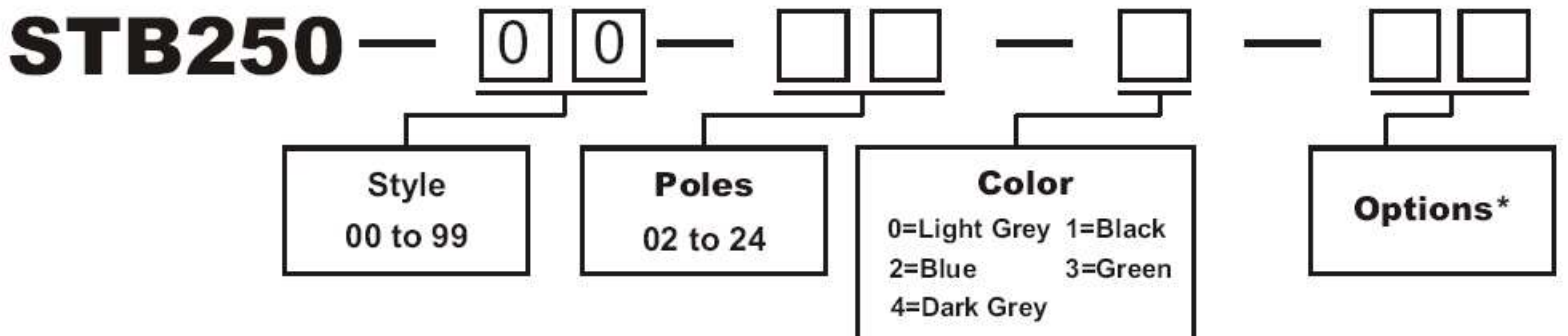
**TYPE STB250
SPECIFICATIONS**

CENTER SPACING:	2.54mm / 0.100 in. 2.50mm / 0.098 in.	CAGE CLAMP:	Steel, Ni Plated
WIRE RANGE:	20–26 AWG	TERMINAL:	Brass, Tin Plated
ELECTRICAL RATING:	150V, 6A	TEMPERATURE:	
BREAKDOWN VOLTAGE:	2,500V	OPERATING:	-40°C to +105°C -40°F to + 221°F
MOLDING:	PA66, UL94, V-0 Self Extinguishing	MAX. SOLDERING:	260°C , +500°F for 5 seconds

MECHANICAL DIMENSIONS



ORDERING INFORMATION



Options*: M1~M9, For Customer Modification (Please provide sketch).
If more than one option is required, please separate each option with a dash (-).