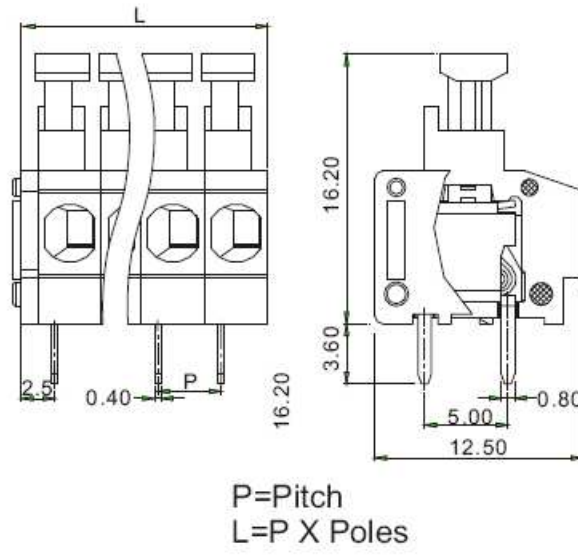




STB235-02



TECHNICAL DATA

E183240

PITCH	3.81mm
WIRE RANGE	20--16AWG
MAX. TORQUE	300V, 10A
ELETRICAL RATING	2,500V

MATERIALS

BODY	PA66,UL94,V-0
TERMINAL	purple Cuprum,Tin Plated
CAGE CLAMP	Stainless
OPERATING	-40°C ~ +105°C
PCB HOLE DIAMETER	ø1.0mm

Poles	L	Poles	L
02	7.62	18	68.58
03	11.43	19	72.39
04	15.24	20	76.20
05	19.05	21	80.01
06	22.86	22	83.82
07	26.67	23	87.63
08	30.48	24	91.44
09	34.29		
10	38.10		
11	41.91		
12	45.72		
13	49.53		
14	53.34		
15	57.15		
16	60.96		
17	64.77		

ORDERING INFORMATION

Style	Poles	Color	Options*
STB235 — <input type="text" value="0"/> <input type="text" value="2"/>	<input type="text" value=""/> <input type="text" value=""/>	<input type="text" value=""/>	M <input type="text" value=""/> <input type="text" value=""/>
00 to 99	02 to 24	<div style="border: 1px solid black; padding: 5px;"> <p>Color</p> <p>0=Light Grey 1=Black</p> <p>2=Blue 3=Green</p> <p>4=Dark Grey</p> </div>	