

**SPRING
TERMINAL BLOCK**

TYPE STB235

SPECIFICATIONS

CENTER SPACING:5.00mm / 0.197 in.

WIRE RANGE:20--14 AWG

ELECTRICAL RATING:300V, 10A

BREAKDOWN VOLTAGE:4,000V

MOLDING:PA66, UL94, V-0

Self Extinguishing

WIRE PROTECTOR: Stainless, No Plated

TERMINAL:Brass, Tin Plated

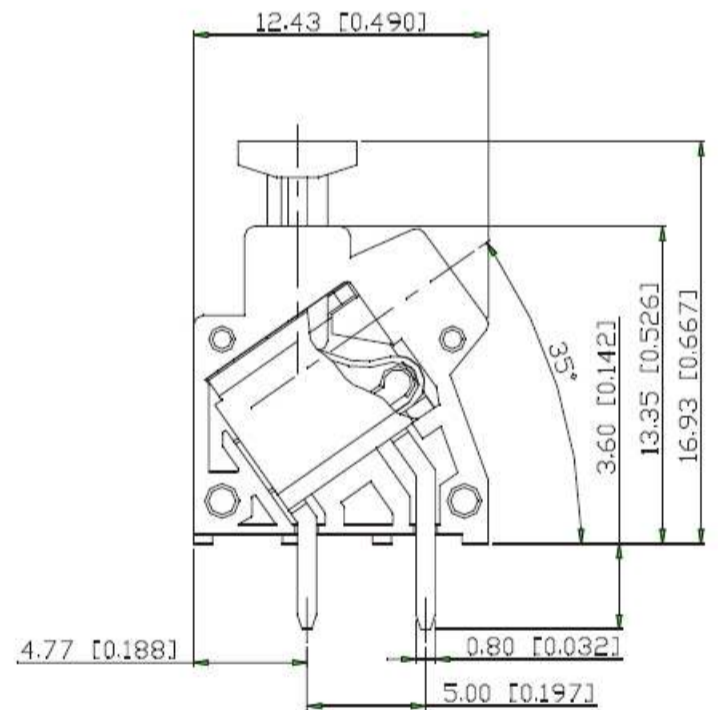
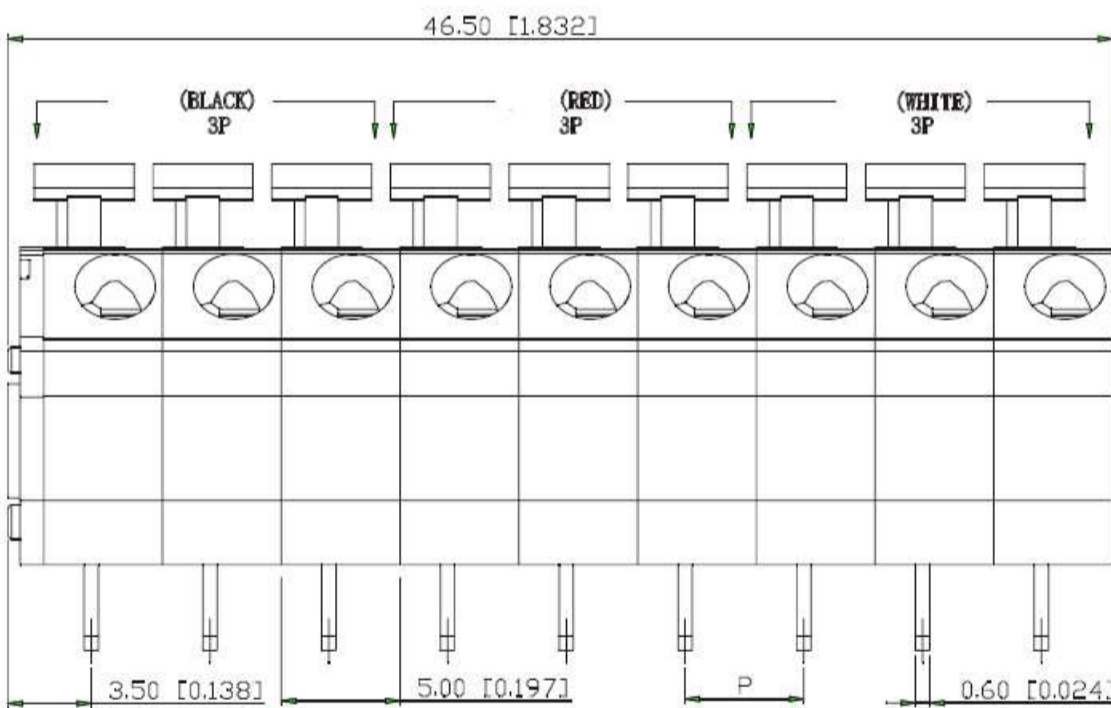
OPERATING:-40°C to +105°C

-40°F to + 221°F

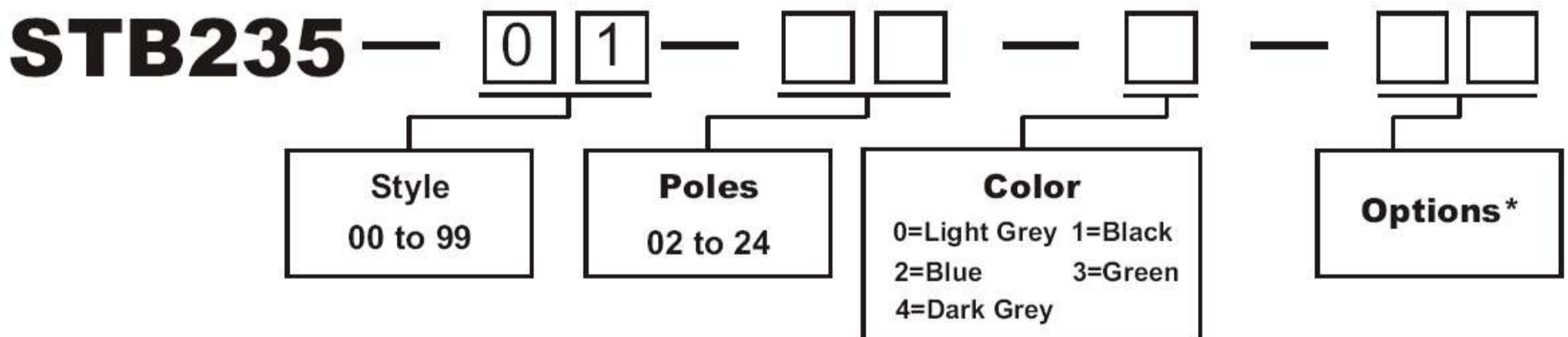
MAX. SOLDERING:260°C , +500°F

for 5 seconds

MECHANICAL DIMENSIONS



ORDERING INFORMATION



Options*: M1~M9, For Customer Modification (Please provide sketch).
If more than one option is required, please separate each option with a dash (-).