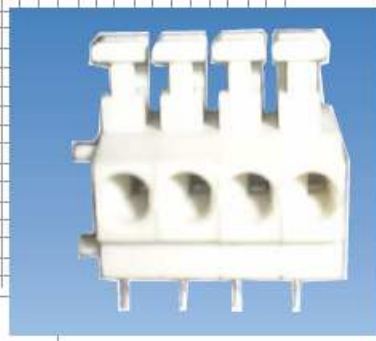


**SPRING
TERMINAL BLOCK**

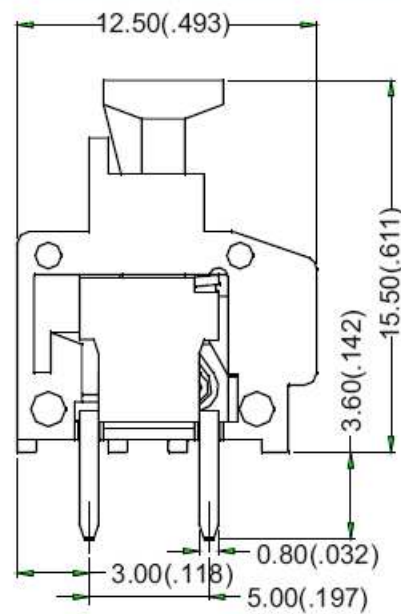
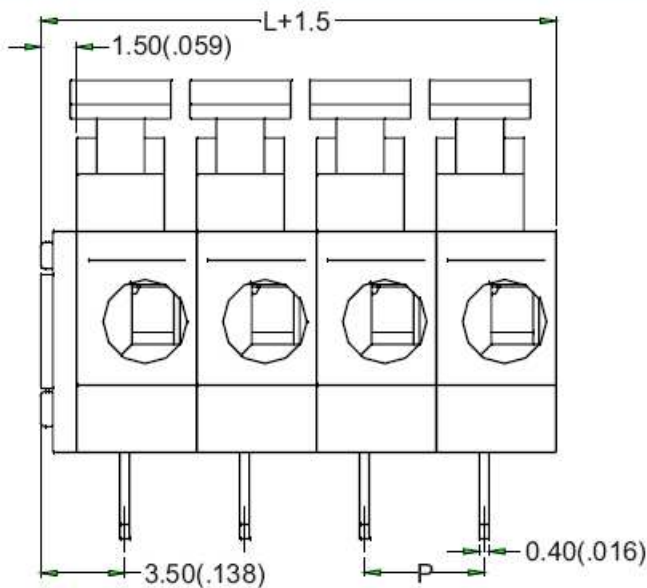


**TYPE STB235
SPECIFICATIONS**

CENTER SPACING:5.00mm / 0.197 in.
 WIRE RANGE:20--14 AWG
 ELECTRICAL RATING:300V, 10A
 BREAKDOWN VOLTAGE:4,000V
 MOLDING:PA66, UL94, V-0
 Self Extinguishing

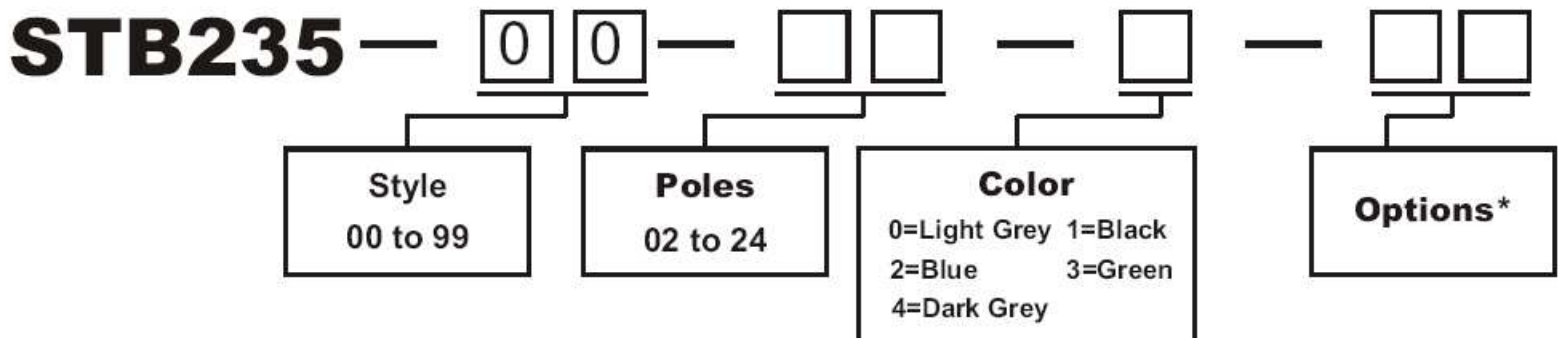
WIRE PROTECTOR: Steel, Ni Plated
 TERMINAL:Brass, Tin Plated
 OPERATING:-40°C to +105°C
 -40°F to + 221°F
 MAX. SOLDERING:260°C , +500°F
 for 5 seconds

MECHANICAL DIMENSIONS



P = Center to Center Spacing
 Length of Connector (L)
 L = number of Poles X Center Spacing
 Dimensions: mm (in.)

ORDERING INFORMATION



Options*: M1~M9, For Customer Modification (Please provide sketch).
 If more than one option is required, please separate each option with a dash (-).