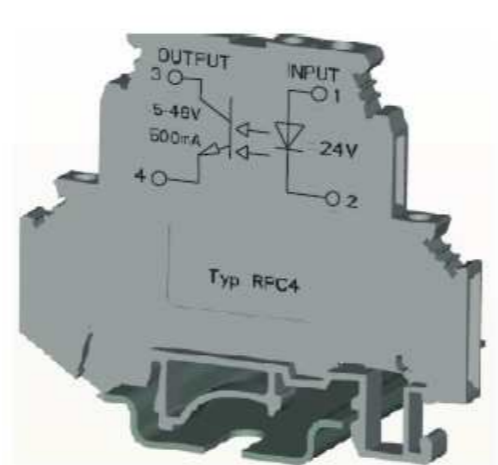
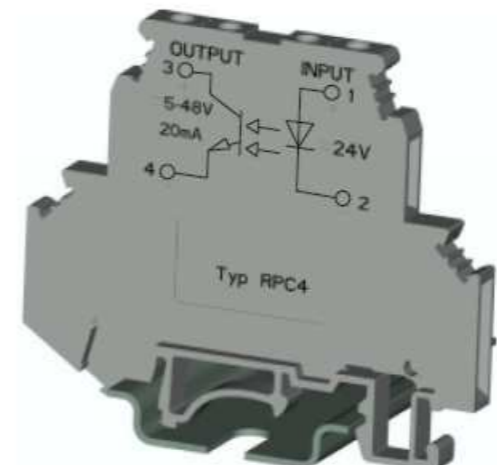


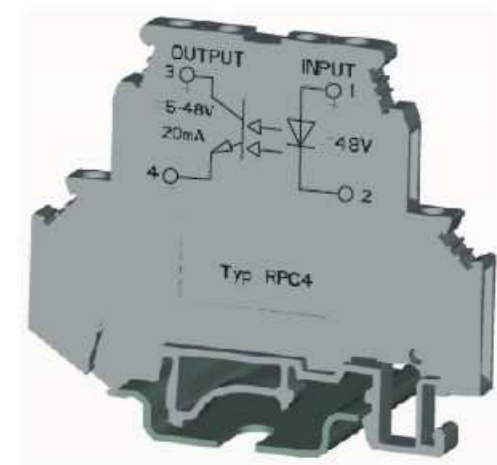
Ray Photoelectric Coupling Terminal Blocks



RPC4 24DC-48DC-300mA



RPC4 24AC/DC-48DC-20mA

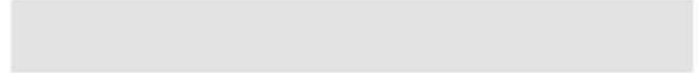


RPC4 48DC-48DC-20mA

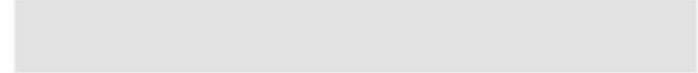
Dimensions

width/thick/height(JNS35/7.5)

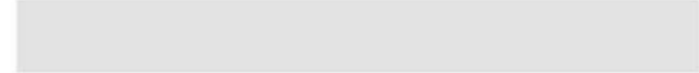
Electric Drawing



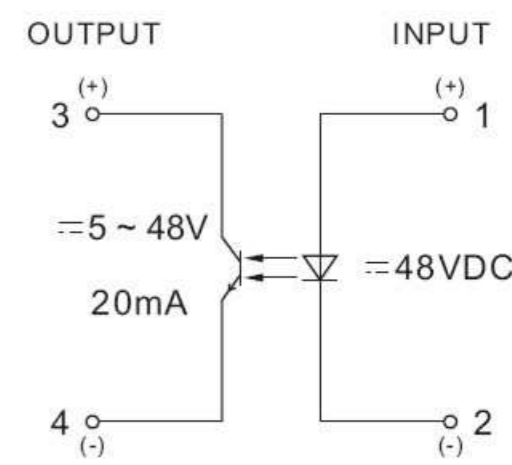
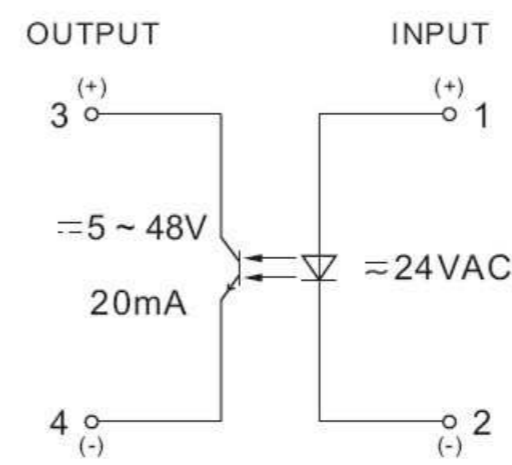
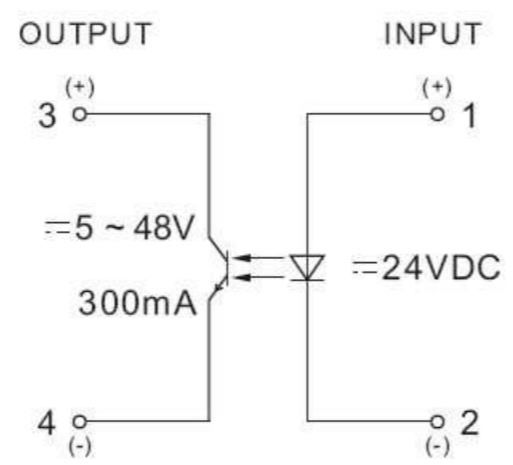
66 / 6.2 / 66



66 / 6.2 / 66

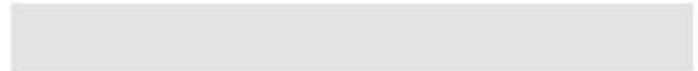


66 / 6.2 / 66

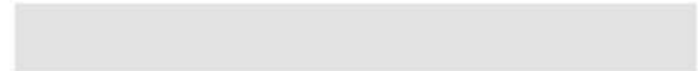


Technical Data

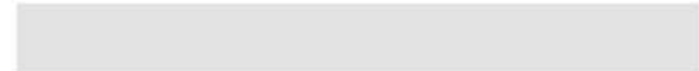
Input Voltage
Input Current
Output Voltage
Max Load Current
Min Load Current
Max Surge Rate 1:2
Max Load Step-down



24VDC±10%
≤5mA
5 ~ 48VDC
300mA
50μA
500Hz
≤1.5V



24VAC/DC±10%
7.3mA AC / 7mA DC
5 ~ 48VDC
20mA
50μA
AC: 5Hz DC:20Hz
≤1V



48VDC±10%
≤4mA
5 ~ 48VDC
20mA
50μA
500Hz
≤1V

Insulation Data

Electrical Rating
Rated Surge Voltage
Surge Voltage Category
Insulation Material Group
Environment Temperature
Lead Section



300V
2.5kV
III
2
-25°C ~ +50°C
0.5 ~ 2.5mm ²



300V
2.5kV
III
2
-25°C ~ +50°C
0.5 ~ 2.5mm ²



300V
2.5kV
III
2
-25°C ~ +50°C
0.5 ~ 2.5mm ²

Accessories

TerminalBlock Board
Mounting Rail

Type

AED 4
JNS 35/7.5
JNS 35/15
JNS 32

Type

AED 4
JNS 35/7.5
JNS 35/15
JNS 32

Type

AED 4
JNS 35/7.5
JNS 35/15
JNS 32