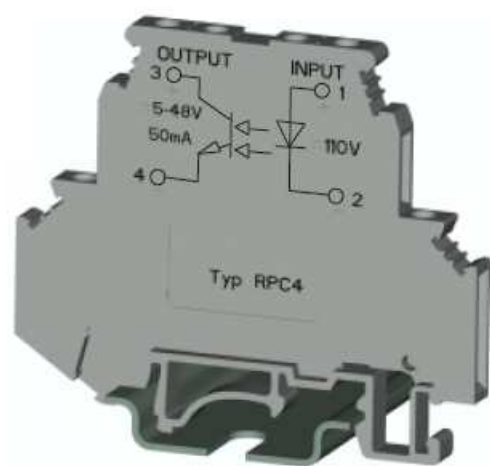
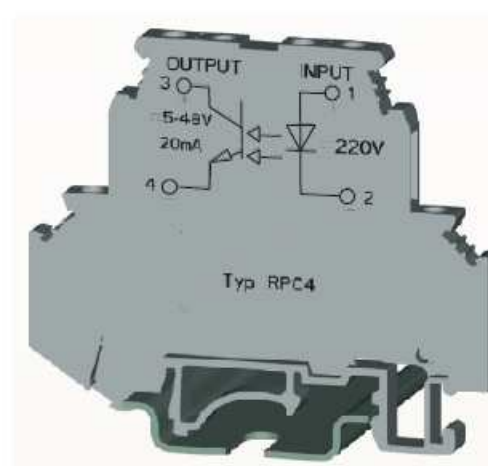


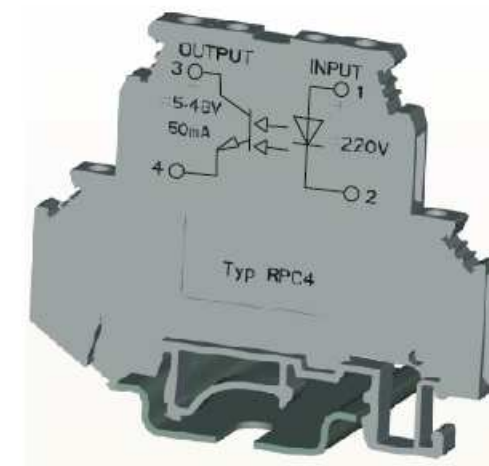
# Ray Photoelectric Coupling Terminal Blocks



RPC4 110DC-48DC-50mA



RPC4 220DC-48DC-20mA



RPC4 220DC-48DC-50mA

## Dimensions

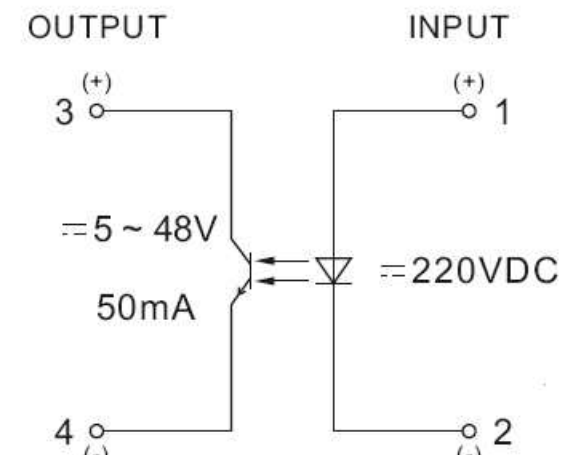
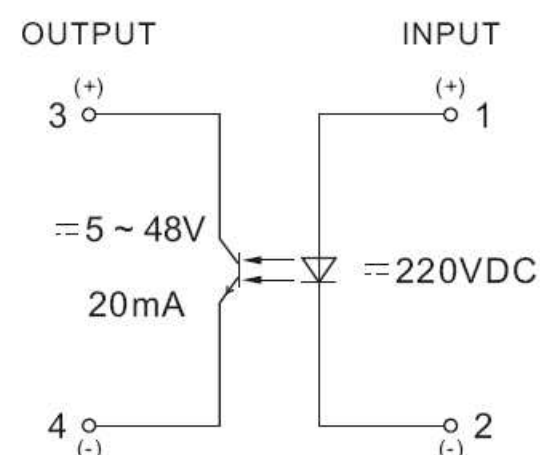
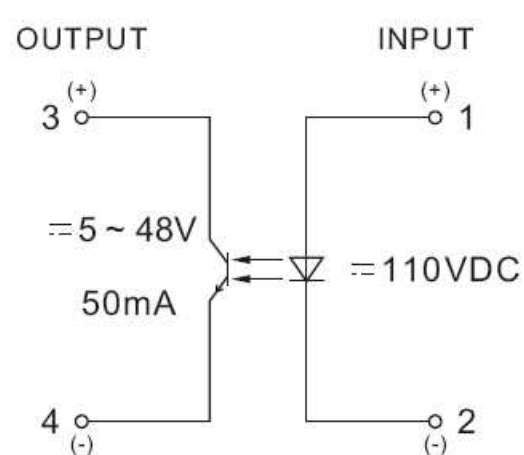
width/thick/height(JNS35/7.5)

66 / 6.2 / 66

66 / 6.2 / 66

66 / 6.2 / 66

## Electrical



## Technical Data

	RPC4 110DC-48DC-50mA	RPC4 220DC-48DC-20mA	RPC4 220DC-48DC-50mA
Input Voltage	110VDC±10%	220VDC±10%	220VDC±10%
Input Current	≤3mA	≤2.5mA	≤2.5mA
Output Voltage	5 ~ 48VDC	5 ~ 48VDC	5 ~ 48VDC
Max Load Current	50mA	20mA	50mA
Min Load Current		50μA	50μA
Max Surge Rate 1:2	500Hz	500Hz	500Hz
Max Load Step-down	≤1.4V	≤1V	≤1.4V

## Insulation Data

	RPC4 110DC-48DC-50mA	RPC4 220DC-48DC-20mA	RPC4 220DC-48DC-50mA
Electrical Rating	300V	300V	300V
Rated Surge Voltage	2.5kV	2.5kV	2.5kV
Surge Voltage Category	III	III	III
Insulation Material Group	2	2	2
Environment Temperature	-25°C ~ +50°C	-25°C ~ +50°C	-25°C ~ +50°C
Lead Section	0.5 ~ 2.5mm <sup>2</sup>	0.5 ~ 2.5mm <sup>2</sup>	0.5 ~ 2.5mm <sup>2</sup>

## Accessories

	Type	Type	Type
Terminal Block Board	AED 4	AED 4	AED 4
Mounting Rail	JNS 35/7.5 JNS 35/15 JNS 32	JNS 35/7.5 JNS 35/15 JNS 32	JNS 35/7.5 JNS 35/15 JNS 32