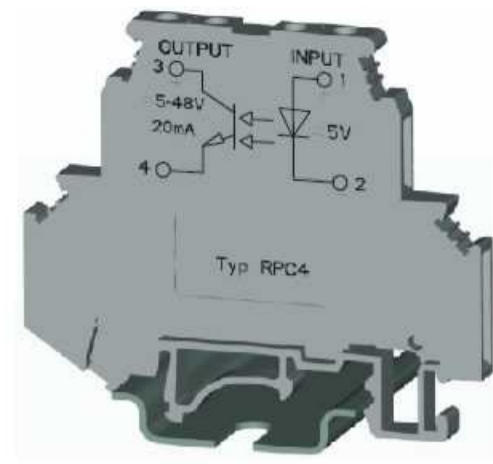
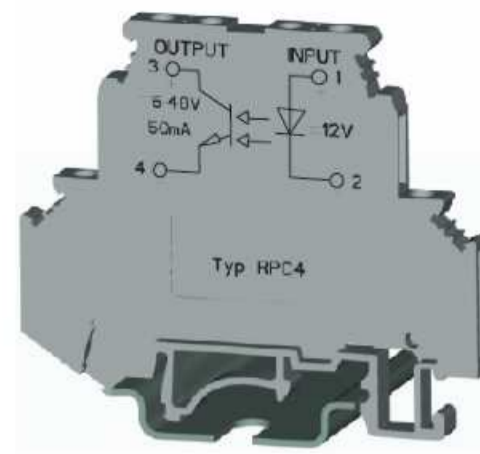


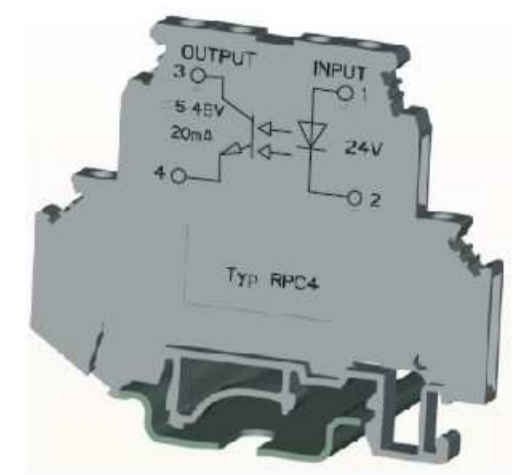
# Ray Photoelectric Coupling Terminal Blocks



RPC4 5DC-48DC-20mA



RPC4 12DC-48DC-50mA



RPC4 24DC-48DC-20mA

## Dimensions

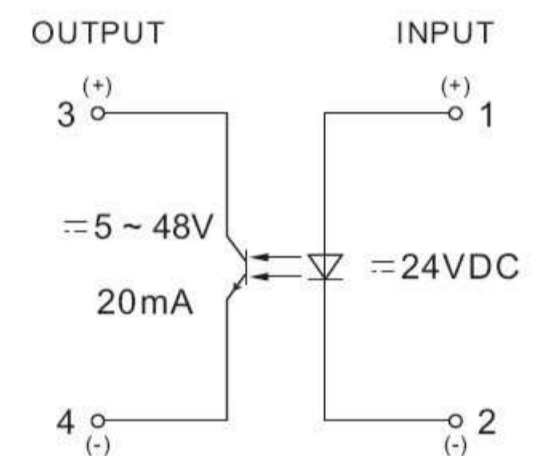
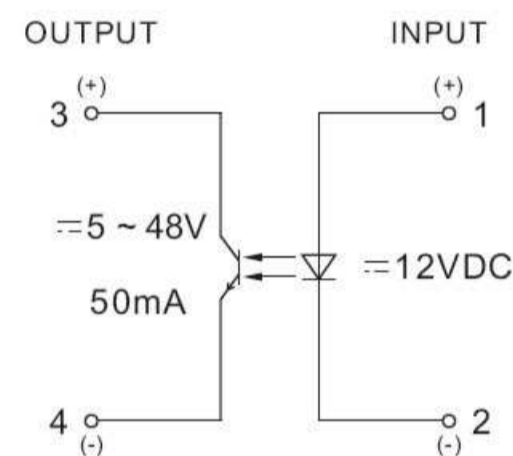
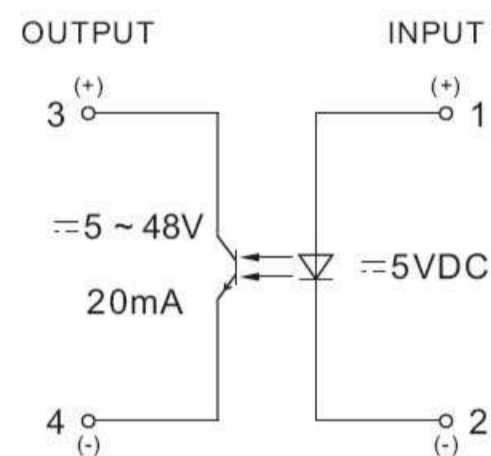
width/thick/height(JNS35/7.5)

66 / 6.2 / 66

66 / 6.2 / 66

66 / 6.2 / 66

## Electric Drawing



## Technical Data

| Input Voltage      | 5VDC±10%  | 12VDC±10% | 24VDC±10% |
|--------------------|-----------|-----------|-----------|
| Input Current      | ≤10mA     | ≤7mA      | ≤5mA      |
| Output Voltage     | 5 ~ 48VDC | 5 ~ 48VDC | 5 ~ 48VDC |
| Max Load Current   | 20mA      | 50mA      | 20mA      |
| Min Load Current   | 50μA      | 50μA      | 50μA      |
| Max Surge Rate 1:2 | 500Hz     | 500Hz     | 500Hz     |
| Max Load Step-down | ≤1V       | ≤1.4V     | ≤1V       |

## Insulation Data

|                           |                          |                          |                          |
|---------------------------|--------------------------|--------------------------|--------------------------|
| Electrical Rating         | 300V                     | 300V                     | 300V                     |
| Rated Surge Voltage       | 2.5kV                    | 2.5kV                    | 2.5kV                    |
| Surge Voltage Category    | III                      | III                      | III                      |
| Insulation Material Group | 2                        | 2                        | 2                        |
| Environment Temperature   | -25°C ~ +50°C            | -25°C ~ +50°C            | -25°C ~ +50°C            |
| Lead Section              | 0.5 ~ 2.5mm <sup>2</sup> | 0.5 ~ 2.5mm <sup>2</sup> | 0.5 ~ 2.5mm <sup>2</sup> |

## Accessories

|                      | Type                              | Type                              | Type                              |
|----------------------|-----------------------------------|-----------------------------------|-----------------------------------|
| Terminal Block Board | AED 4                             | AED 4                             | AED 4                             |
| Mounting Rail        | JNS 35/7.5<br>JNS 35/15<br>JNS 32 | JNS 35/7.5<br>JNS 35/15<br>JNS 32 | JNS 35/7.5<br>JNS 35/15<br>JNS 32 |