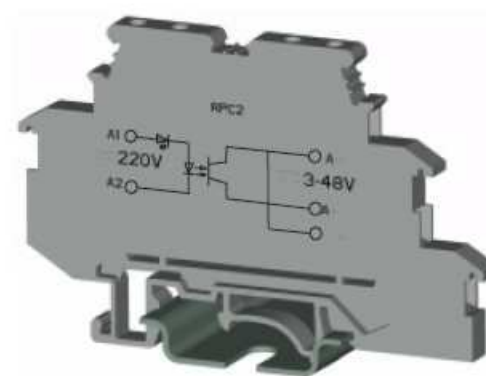
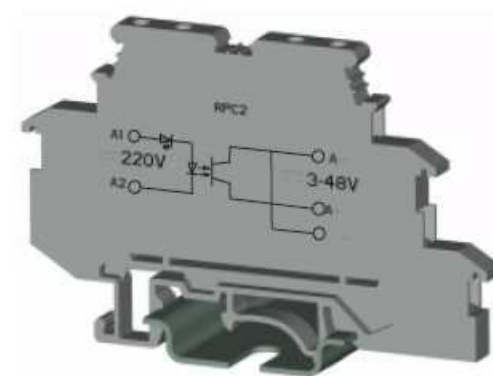


Ray Photoelectric Coupling Terminal Blocks



RPC4 110DC-48DC-20mA



RPC2 220DC-48DC-100mA

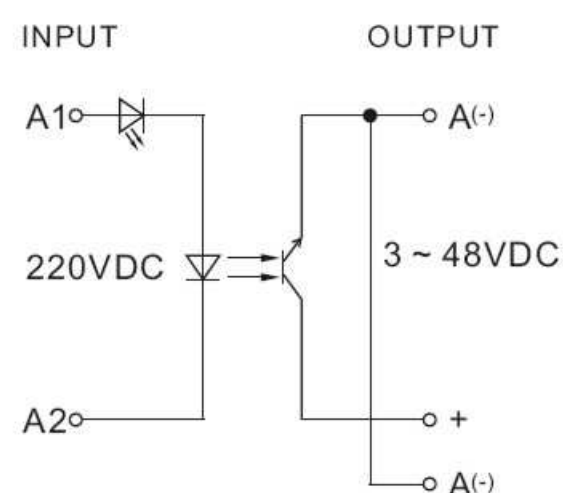
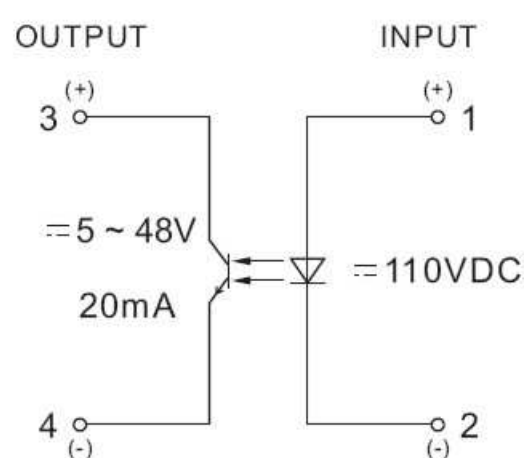
Dimensions

width/thick/height(JNS35/7.5)

66 / 6.2 / 66

80 / 6.2 / 56

Electric Drawing



Technical Data

Input Voltage

110VDC \pm 10%

220VDC \pm 20%

Input Current

\leq 3mA

\leq 2.5mA

Output Voltage

5 ~ 48VDC

3 ~ 48VDC

Max Load Current

20mA

100mA

Min Load Current

50 μ A

10 μ A

Max Surge Rate 1:2

500Hz

300Hz

Max Load Step-down

\leq 1V

\leq 1V

Insulation Data

Electrical Rating

300V

300V

Rated Surge Voltage

2.5kV

2.5kV

Surge Voltage Category

III

III

Insulation Material Group

2

2

Environment Temperature

-25 $^{\circ}$ C ~ +50 $^{\circ}$ C

-20 $^{\circ}$ C ~ +60 $^{\circ}$ C

Lead Section

0.5 ~ 2.5mm²

0.2 ~ 2.5mm²

Accessories

Terminal Block Board

AED 4

-

Mounting Rail

JNS 35/7.5
JNS 35/15
JNS 32

JNS 35/7.5
JNS 35/15
JNS 32