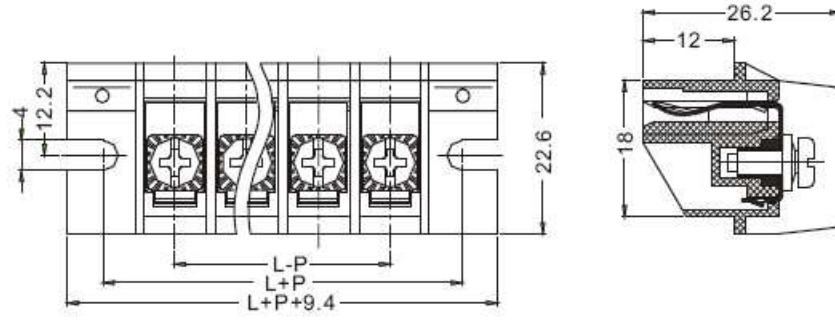




PTB950-00



P=Pitch
L=P X Poles

TECHNICAL DATA

☎:201660

PITCH	9.525mm
WIRE RANGE	22--14AWG
MAX. TORQUE	9lb-in.
ELECTRICAL RATING	300V, 10A
BREAKDOWN VOLTAGE	4,000V
PEEL LENGTH	

MATERIALS

BODY	PBT,UL94,V-0
SCREW	M3.5,Steel,Zinc Plated
WIRE PROTECTOR	Tin Bronze,Nickel Plated
WIRE CAGE	Brass,Zinc Plated
OPERATING	-40°C ~ +120°C

MATE WITH HEADER:

Poles	L	Poles	L
04	38.10		
05	47.63		
06	57.15		
07	66.68		
08	76.20		
09	85.73		
10	95.25		
11	104.78		
12	114.30		
13	123.83		
14	133.35		
15	142.88		
16	152.40		

ORDERING INFORMATION

