

TYPE PTB751S

TECHNICAL DATA

WIRE ENTRANCE Parallel to PCB
 PITCH 8.255mm / 0.325in.

MATERIALS

BODY Polyamide, UL94, V-0
 Self Extinguishing
 TERMINAL Brass, Tin Plated

TEMPERATURE

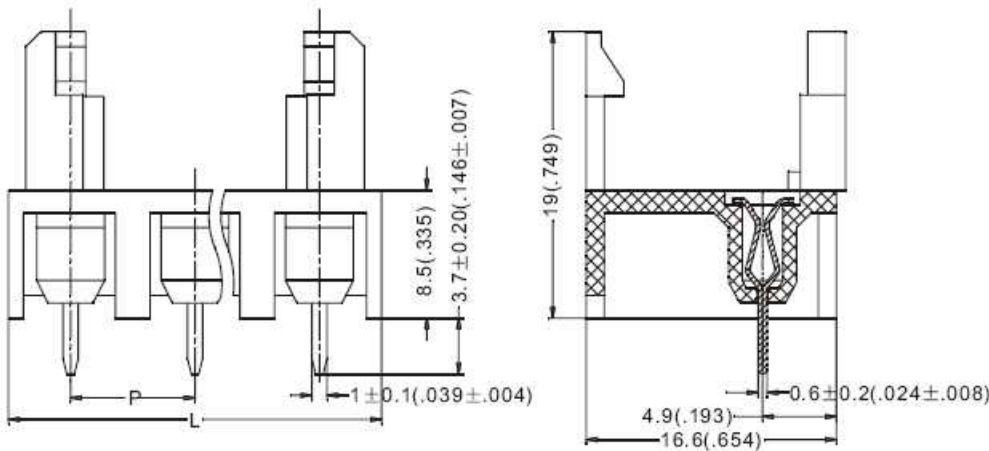
OPERATING -40°C to +105°C
 -40°F to + 221°F
 MAX. SOLDERING 260°C, +500°F
 for 5 seconds

ELECTRICAL DATA

ELECTRICAL RATING 300V, 10A
 BREAKDOWN VOLTAGE 4,000V



Style 00



P=Center to Center Spacing

Dimensions: mm (in.)

Poles	L	Poles	L
02	16.51		
03	24.77		
04	33.02		
05	41.28		
06	49.53		
07	57.79		
08	66.04		
09	74.30		
10	82.55		
11	90.81		
12	99.06		

* Dimensions in millimeters

ORDERING INFORMATION

Type	Style	Poles	Color	Options*
PTB751S	— 0 0	— □ □	— □	— M □
	00 to 99	02 to 12	0=Light Grey 1=Black 2=Blue 3=Green 4=Dark Grey	

If more than one option is required, please separate each option with a dash(-).