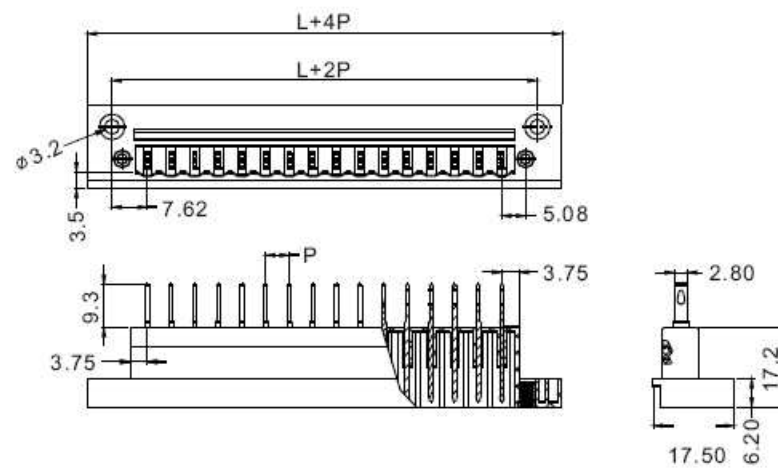




PTB750S-20



P=Pitch
L=P X Postions

TECHNICAL DATA

E183240

PITCH	5.08mm
WIRE RANGE	
MAX. TORQUE	
ELECTRICAL RATING	300V, 10A
BREAKDOWN VOLTAGE	4000V
STRIPPING LENGTH	

MATERIALS

INSULATION BODY	Nylon,UL94,V-0
SCREW	
TERMINAL	Brass, Tin Plated
WIRE CAGE	
OPERATING TEMPERATURE	-40°C ~ +105°C
PCB HOLE DIAMETER	ø1.6mm

Positions	L	Positions
2	10.16	
3	15.24	
4	20.32	
5	25.4	
6	30.48	
7	35.56	
8	40.64	
9	45.72	
10	50.8	
11	55.88	
12	60.96	
13	66.04	
14	71.12	
15	76.2	
16	81.28	

ORDERING INFORMATION

SERIES	STYLE	POSITIONS	COLOR	OPTIONS*
PTB □ □ □ □	— □ □	— □ □	— □	— M □ □
	00 to 99	02 to 24	0=Light Grey 1=Black 2=Blue 3=Green 4=Dark Grey	