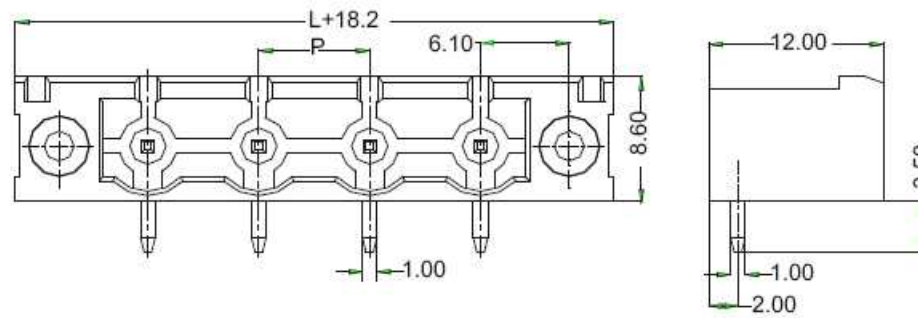




PTB750S-04-5



P=Pitch
L=(N-1)XP
N=NO. Of Poles

TECHNICAL DATA

UL:E183240 CE:201660

PITCH	7.62mm
WIRE RANGE	300V, 15A
MAX. TORQUE	4,000V

MATERIALS

BODY	PA66,UL94,V-0
SCREW	Brass,Tin Plated
WIRE PROTECTOR	-40°C ~ +105°C
PCB HOLE DIAMETER	ø1.6mm

MATE WITH HEADER: PTB750B-04-05

Poles	L	Poles	L
02	7.62		
03	15.24		
04	22.86		
05	30.48		
06	38.10		
07	45.72		
08	53.34		
09	60.96		
10	68.58		
11	76.20		
12	83.82		

ORDERING INFORMATION

PTB750S — 04 — 5 — — — M

00 to 99

1=5.00mm
2=5.08mm

02 to 30

Color	
0=Light Grey	1=Black
2=Blue	3=Green
4=Dark Grey	