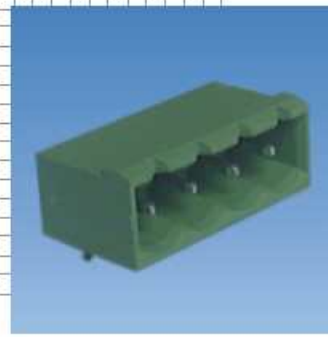


**PLUGGABLE
TERMINAL BLOCK**



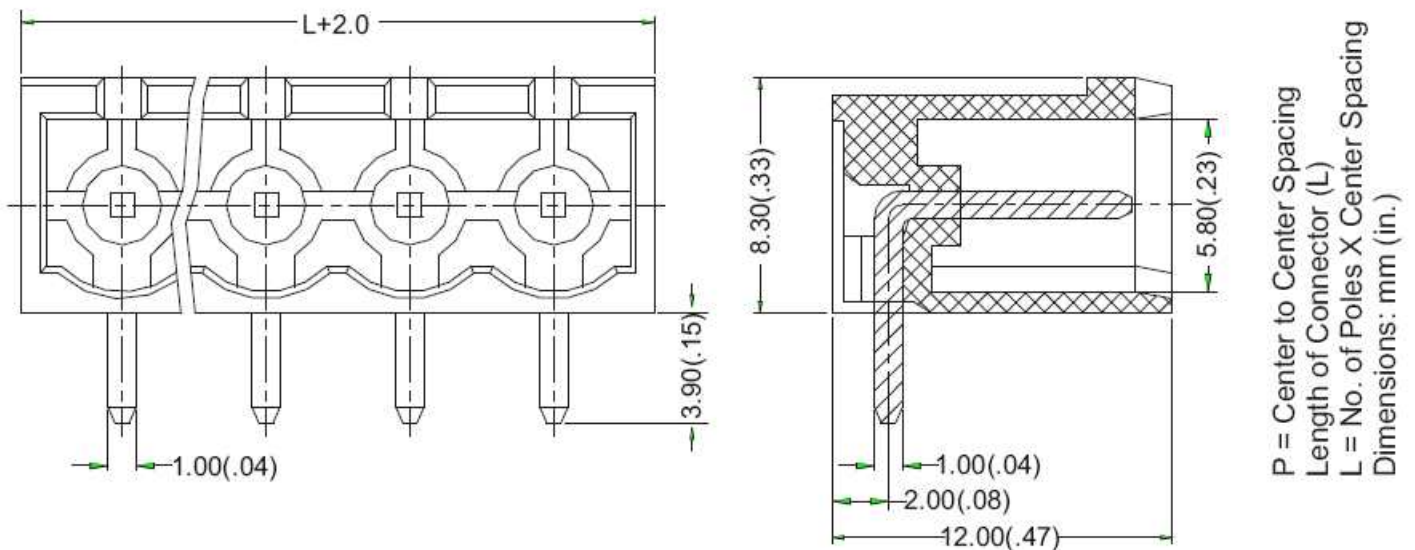
TYPE PTB750S



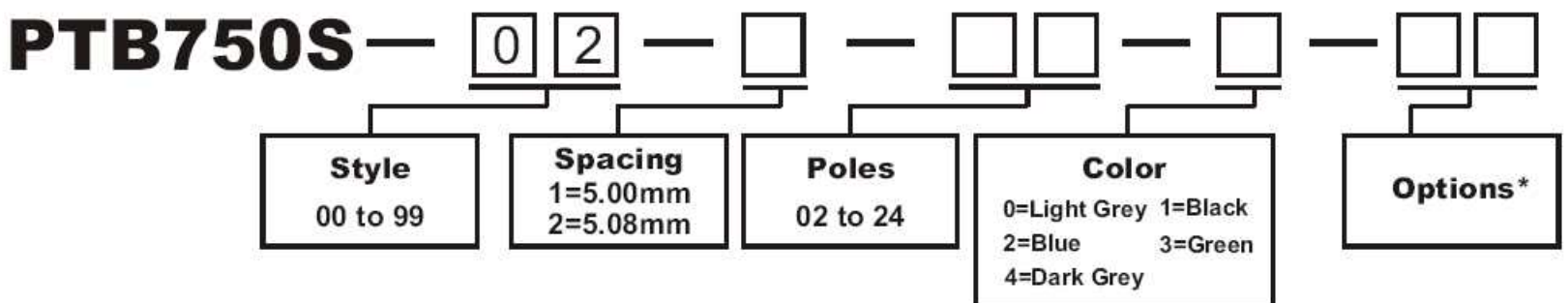
SPECIFICATIONS

WIRE ENTRANCE:Parallel to PCB	TERMINAL:Brass, Tin Plated
CENTER SPACING:5.00mm / 0.197in.5.08mm / 0.200in.	TEMPERATURE:
ELECTRICAL RATING:300V, 10A	OPERATING:-40°C to +105°C-40°F to + 221°F
BREAKDOWN VOLTAGE:4,000V	MAX. SOLDERING:260°C , +500°F
MOLDING:Polyamide, UL94, V-0Self Extinguishing	for 5 seconds

MECHANICAL DIMENSIONS



ORDERING INFORMATION



Options*: M1~M9, For Customer Modification (Please provide sketch).
 If more than one option is required, please separate each option with a dash (-).