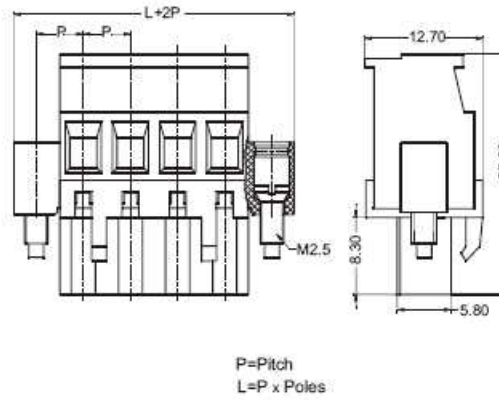




PTB750B-09



TECHNICAL DATA

WAL: E183240 ©: 201660

PITCH	5.08mm
WIRE RANGE	26--12AWG
MAX. TORQUE	5 lb-in.
ELECTRICAL RATING	300V, 10A
BREAKDOWN VOLTAGE	4,000V
PEEL LENGTH	6.50mm

MATERIALS

BODY	PA66,UL94,V-0
SCREW	M3,Steel,Zinc Plated
WIRE PROTECTOR	Tin Bronze,Tin Plated
WIRE CAGE	Brass,Nickel Plated
OPERATING	-40°C ~ +105°C

MATE WITH HEADER: **PTB750S-04,PTB750S-05**

Poles	L	Poles	L
02	10.16	18	91.44
03	15.24	19	96.52
04	20.32	20	101.60
05	25.40		
06	30.48		
07	35.56		
08	40.64		
09	45.72		
10	50.80		
11	55.88		
12	60.96		
13	66.04		
14	71.12		
15	76.20		
16	81.28		
17	86.36		

ORDERING INFORMATION

PTB750B — **Style** — **Pitch** — **Poles** — **Color** — **Options***

00 to 99	1=5.00mm 2=5.08mm 3=6.35mm 4=7.50mm 5=7.62mm	02 to 24	Color 0=Light Grey 1=Black 2=Blue 3=Green 4=Dark Grey
----------	--	----------	---