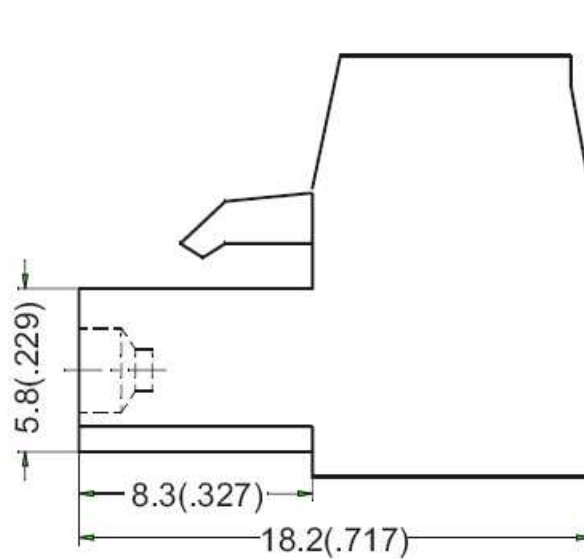
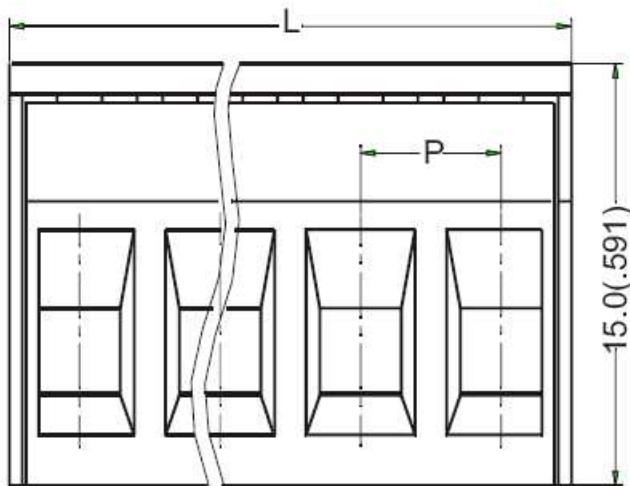


**PLUGGABLE
TERMINAL BLOCK**

**TYPE PTB750B
SPECIFICATIONS**

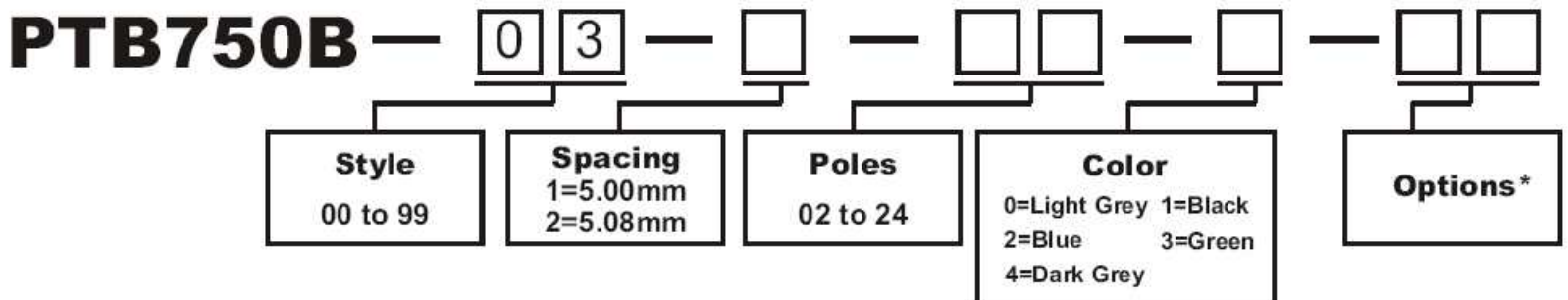
WIRE ENTRANCE:Parallel to PCB	MAX. TORQUE:5lb-in.
CENTER SPACING:5.08mm / 0.200 in.	WIRE PROTECTOR:Copper, Ni Plated
.....5.00mm / 0.197 in	SCREW:M3, Steel, Zinc Plated
WIRE RANGE:12--26 AWG	WIRE CAGE:.....Brass, Ni Plated
ELECTRICAL RATING:300V, 10A	OPERATING:-40°C to +105°C
BREAKDOWN VOLTAGE:4,000V-40°F to + 221°F
MOLDING:Polyamide, UL94, V-0	MAX. SOLDERING:260°C , +500°F
.....Self Extinguishingfor 5 seconds

MECHANICAL DIMENSIONS



P = Center to Center Spacing
 Length of Connector (L)
 L = number of Poles X Center Spacing
 Dimensions: mm (in.)

ORDERING INFORMATION



Options*: M1~M9, For Customer Modification (Please provide sketch).
 If more than one option is required, please separate each option with a dash (-).