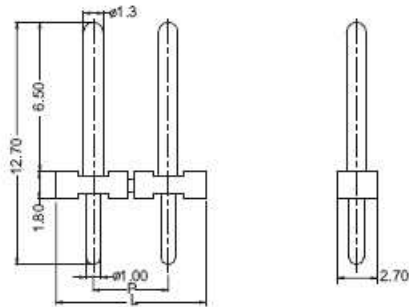




PTB450P-02



P=Pitch
L=P X Poles

TECHNICAL DATA

⚡:E183240 Ⓢ:201660

| | |
|-------------|-----------|
| PITCH | 5.00mm |
| WIRE RANGE | 300V, 10A |
| MAX. TORQUE | 4,000V |

MATERIALS

| | |
|-------------------|------------------|
| BODY | PA66,UL94,V-0 |
| SCREW | Brass,Tin Plated |
| WIRE PROTECTOR | -40°C ~ +105°C |
| PCB HOLE DIAMETER | ø1.3mm |

MATE WITH HEADER: **PTB450B-02**

| Poles | L | Poles | L |
|-------|--------|-------|---|
| 04 | 38.10 | | |
| 05 | 47.63 | | |
| 06 | 57.15 | | |
| 07 | 66.68 | | |
| 08 | 76.20 | | |
| 09 | 85.73 | | |
| 10 | 95.25 | | |
| 11 | 104.78 | | |
| 12 | 114.30 | | |
| 13 | 123.83 | | |
| 14 | 133.35 | | |
| 15 | 142.88 | | |
| 16 | 152.40 | | |

ORDERING INFORMATION

PTB450P — 0 2 — — — — **M**

00 to 99

1=5.00mm
2=5.08mm

02 to 30

Color

0=Light Grey 1=Black
2=Blue 3=Green
4=Dark Grey