



**PLUGGABLE  
TERMINAL BLOCK**

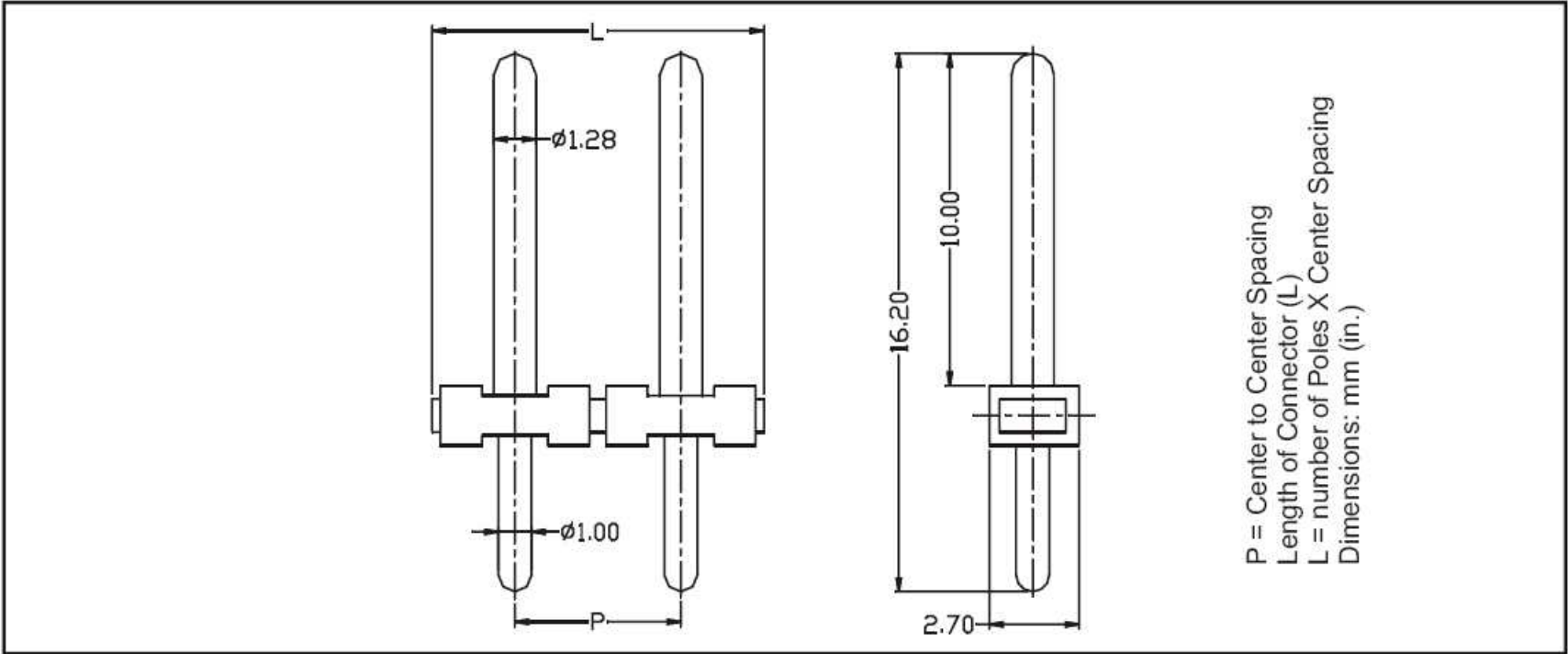
**TYPE PTB450P**



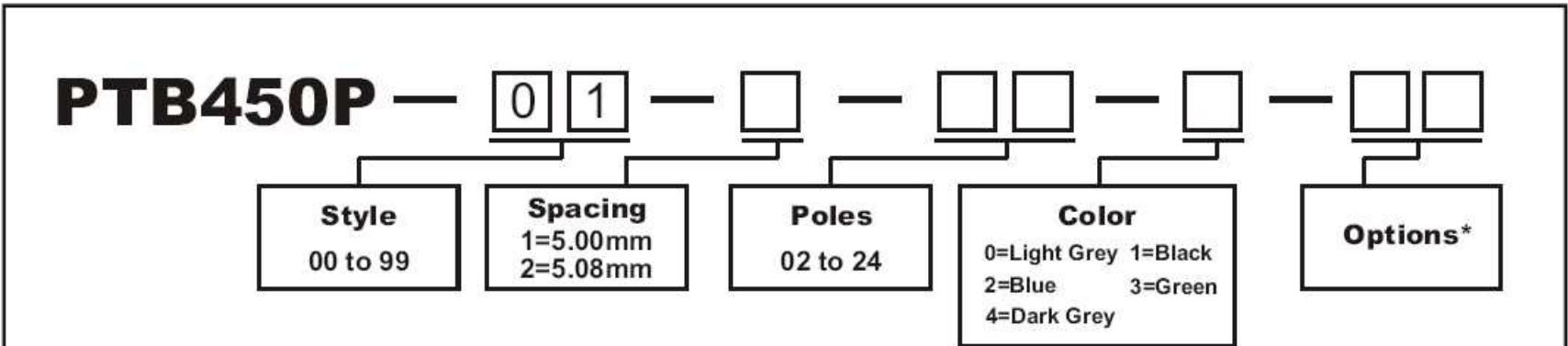
**SPECIFICATIONS**

CENTER SPACING: .....5.00mm / 0.197 in	TERMINAL: .....Brass, Tin Plated
ELECTRICAL RATING: .....300V, 10A	OPERATING: .....-40°C to +105°C
BREAKDOWN VOLTAGE: .....4,000V	-40°F to + 221°F
MOLDING: .....Polyamide, UL94, V-0 Self Extinguishing	MAX. SOLDERING: .....260°C , +500°F for 5 seconds

**MECHANICAL DIMENSIONS**



**ORDERING INFORMATION**



**Options\*:** M1~M9, For Customer Modification (Please provide sketch).  
If more than one option is required, please separate each option with a dash (-).