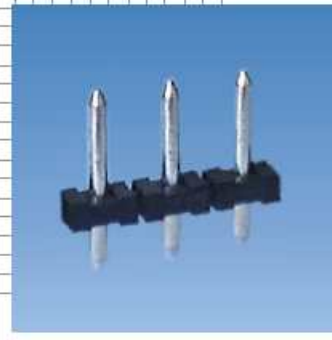


**PLUGGABLE
TERMINAL BLOCK**



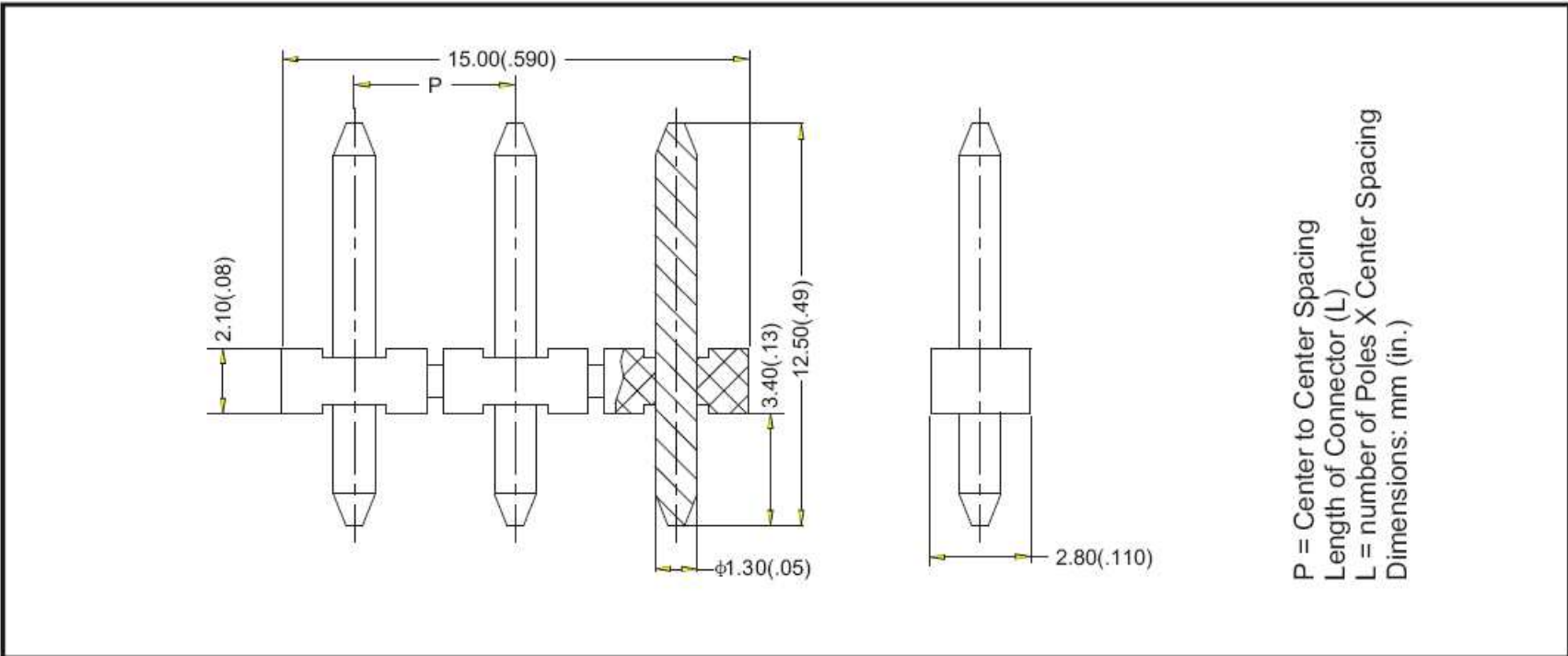
TYPE PTB450P



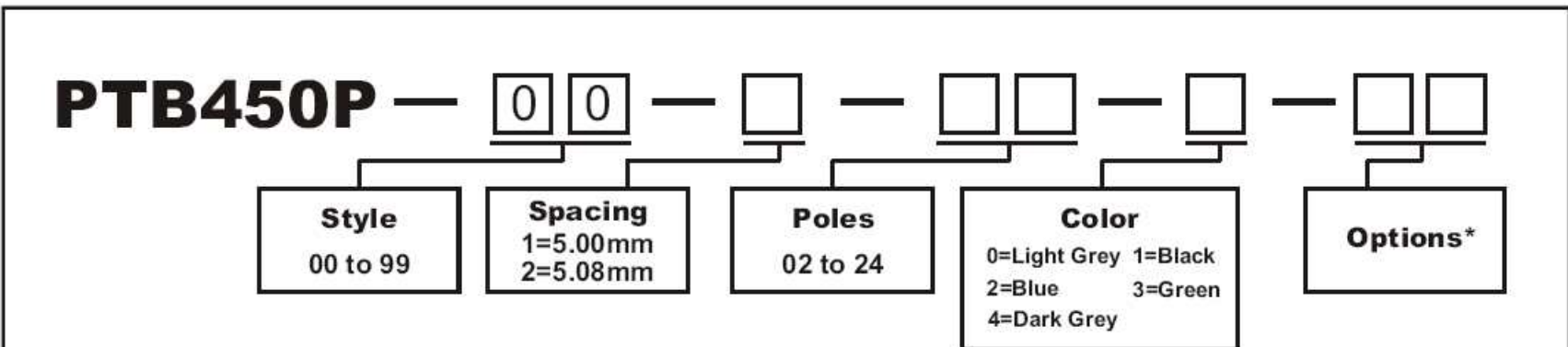
SPECIFICATIONS

CENTER SPACING: 5.00mm / 0.197 in	TERMINAL : Brass, Tin Plated
ELECTRICAL RATING: 300V, 10A	TEMPERATURE:
BREAKDOWN VOLTAGE: 4,000V	OPERATING: -40°C to +105°C
MOLDING: Polyamide, UL94, V-0	-40°F to + 221°F
Self Extinguishing	MAX. SOLDERING: 260°C , +500°F
	for 5 seconds

MECHANICAL DIMENSIONS



ORDERING INFORMATION



Options*: M1~M9, For Customer Modification (Please provide sketch).
If more than one option is required, please separate each option with a dash (-).