



**PLUGGABLE  
TERMINAL BLOCK**

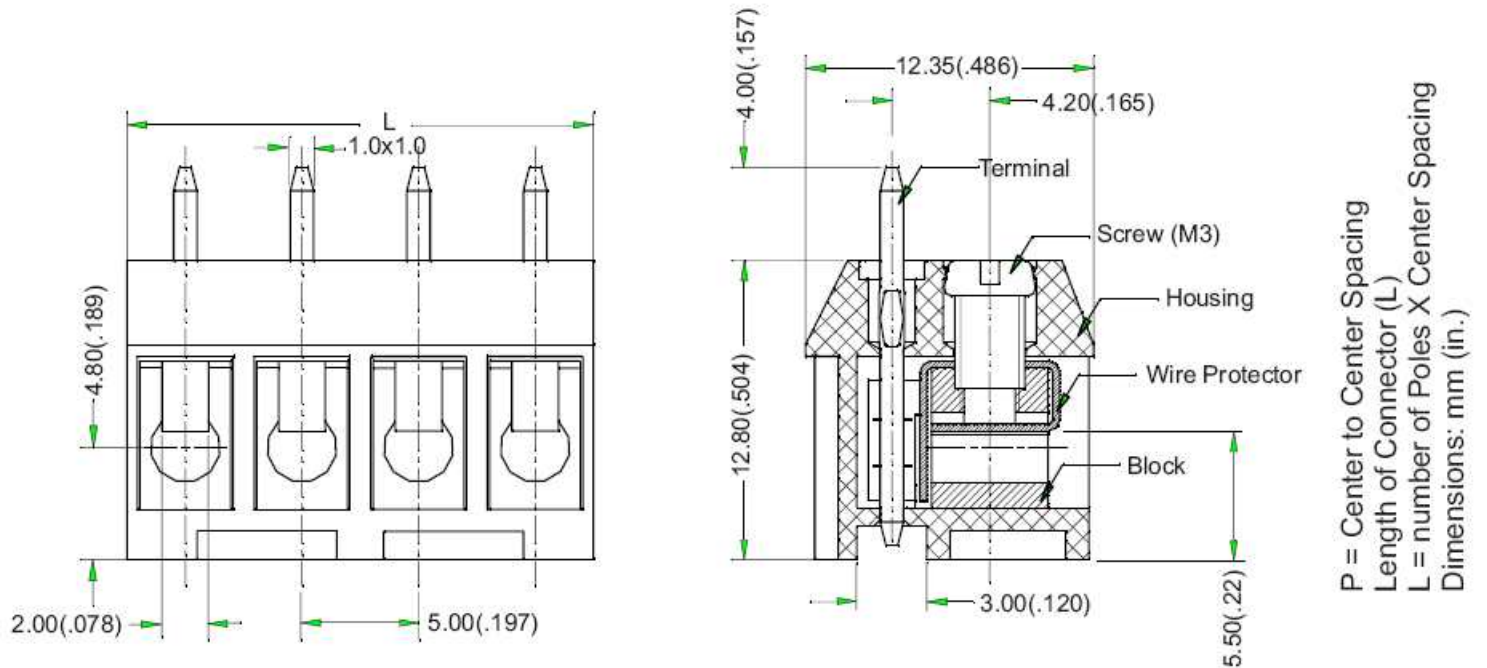
**TYPE PTB450B**



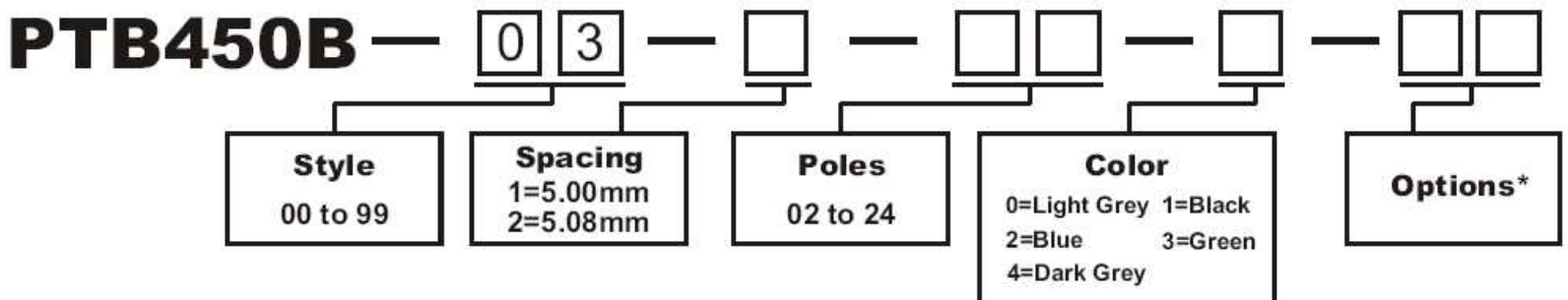
**SPECIFICATIONS**

WIRE ENTRANCE: .....Parallel to PCB	SCREW TORQUE: .....5 lb-in.
CENTER SPACING: .....5.00mm / 0.197 in.	WIRE PROTECTOR: .....Copper, Ni Plated
WIRE RANGE: .....14-24 AWG	SCREW: .....M3, Steel, Zinc Plated
ELECTRICAL RATING: .....300V, 10A	TERMINAL : .....Brass, Tin Plated
BREAKDOWN VOLTAGE: .....4,000V	TEMPERATURE:
HOUSING: .....Polyamide, UL94, V-0	OPERATING: .....-40°C to +105°C
Self Extinguishing	-40°F to + 221°F
BLOCK: .....Brass(59)	MAX. SOLDERING: .....260°C , +500°F
	for 5 seconds

**MECHANICAL DIMENSIONS**



**ORDERING INFORMATION**



**Options\*:** M1~M9, For Customer Modification (Please provide sketch).  
If more than one option is required, please separate each option with a dash (-).