

**PLUGGABLE
TERMINAL BLOCK**

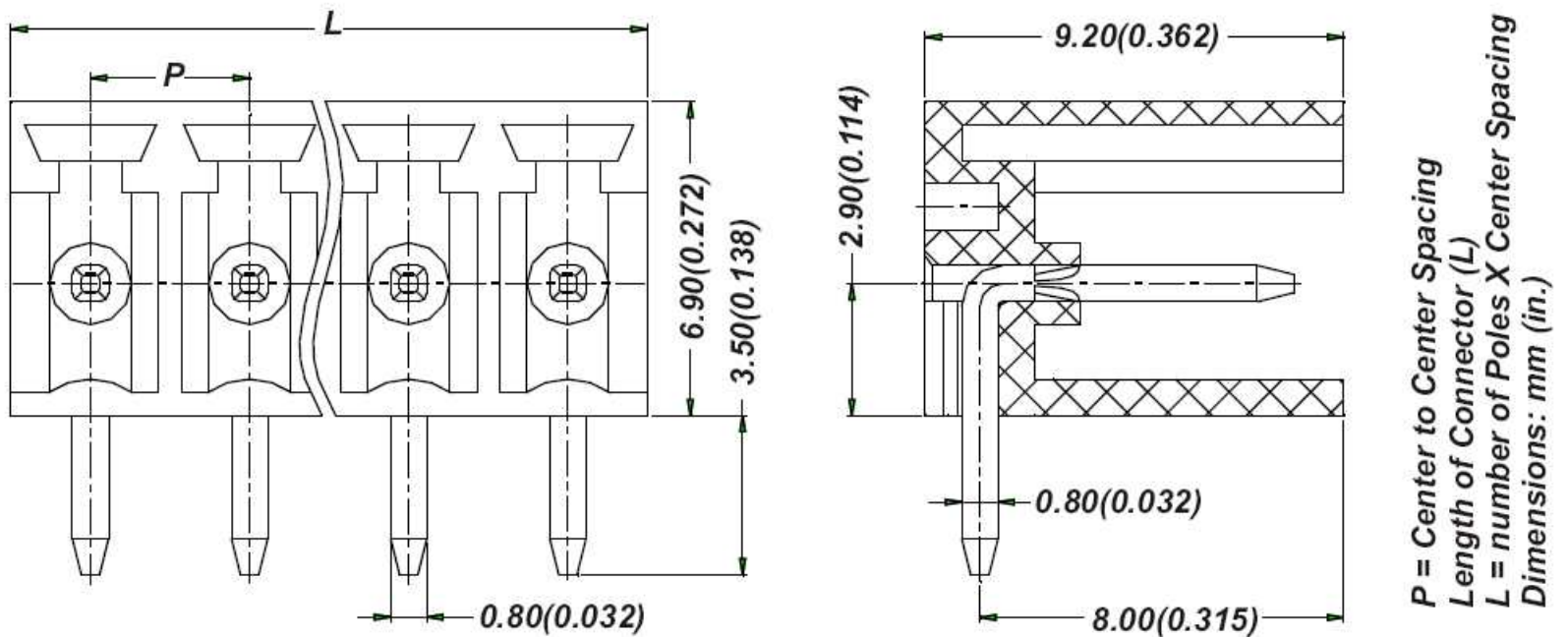


**TYPE PTB350S
SPECIFICATIONS**

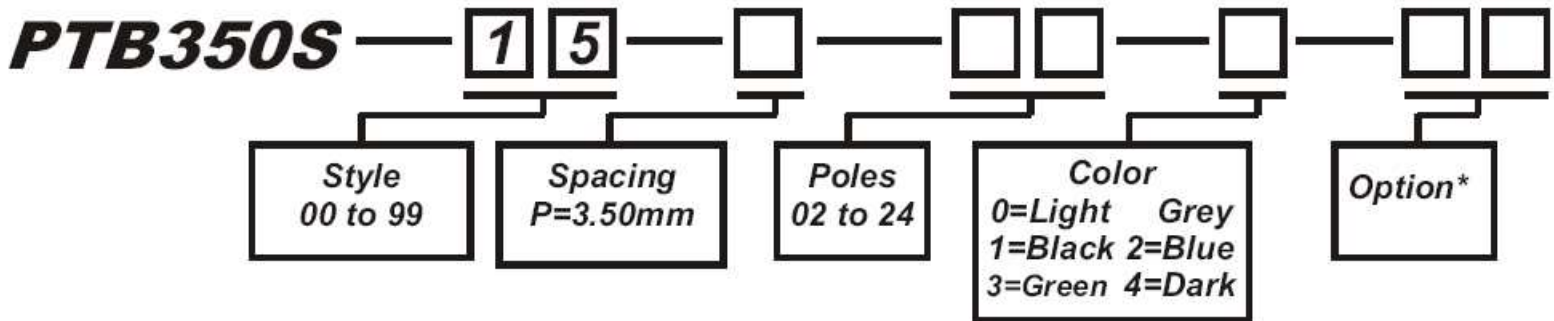


CENTER SPACING:3.50mm / 0.138 in	TERMINAL:Brass, Tin Plated
ELECTRICAL RATING:300V, 8A	OPERATING:-40°C to +105°C
BREAKDOWN VOLTAGE:4,000V-40°F to + 221°F
MOLDING:Polyamide, UL94, V-0 Self Extinguishing	MAX. SOLDERING:260°C , +500°F for 5 seconds

MECHANICAL DIMENSIONS



ORDERING INFORMATION



Options*: M1~M9, For Customer Modification (Please provide sketch).
IF more than one option is required, please separate each option with a dash ().