

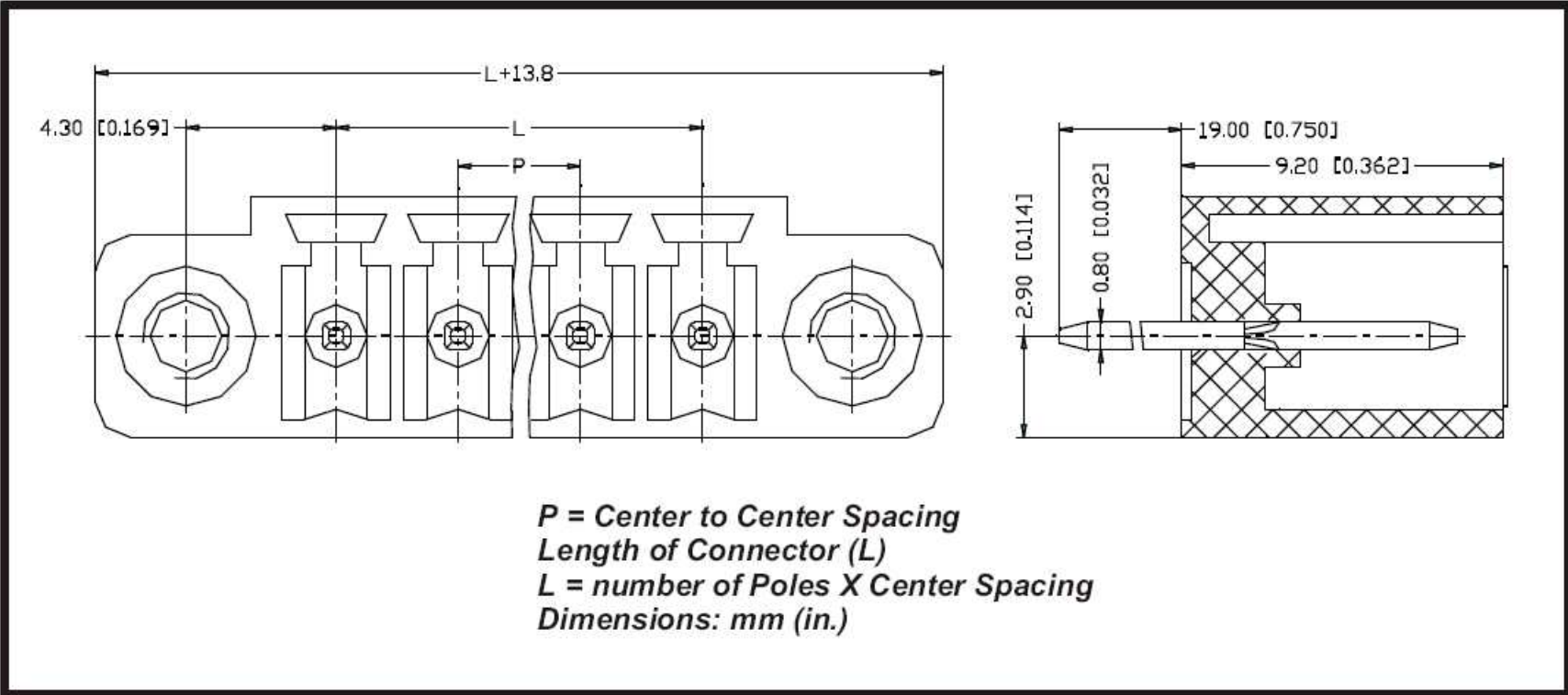
**PLUGGABLE
TERMINAL BLOCK**

**TYPE PTB350S
SPECIFICATIONS**

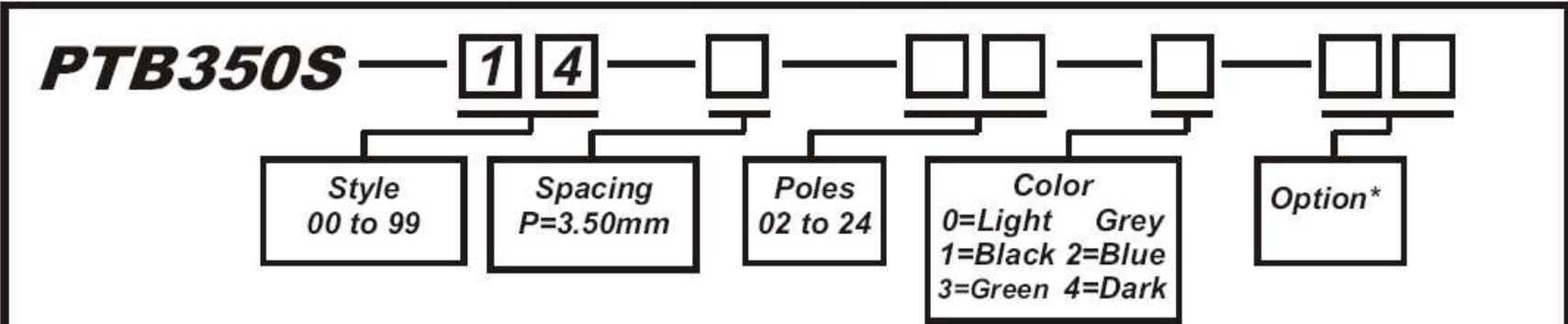


| | |
|---|---|
| CENTER SPACING:3.50mm / 0.138 in | TERMINAL:Brass, Tin Plated |
| ELECTRICAL RATING:300V, 8A | OPERATING:-40°C to +105°C |
| BREAKDOWN VOLTAGE:4,000V |-40°F to + 221°F |
| MOLDING:Polyamide, UL94, V-0 Self Extinguishing | MAX. SOLDERING:260°C , +500°F for 5 seconds |

MECHANICAL DIMENSIONS



ORDERING INFORMATION



Options*: M1~M9, For Customer Modification (Please provide sketch).
 IF more than one option is required, please separate each option with a dash ().