

**PLUGGABLE
TERMINAL BLOCK**

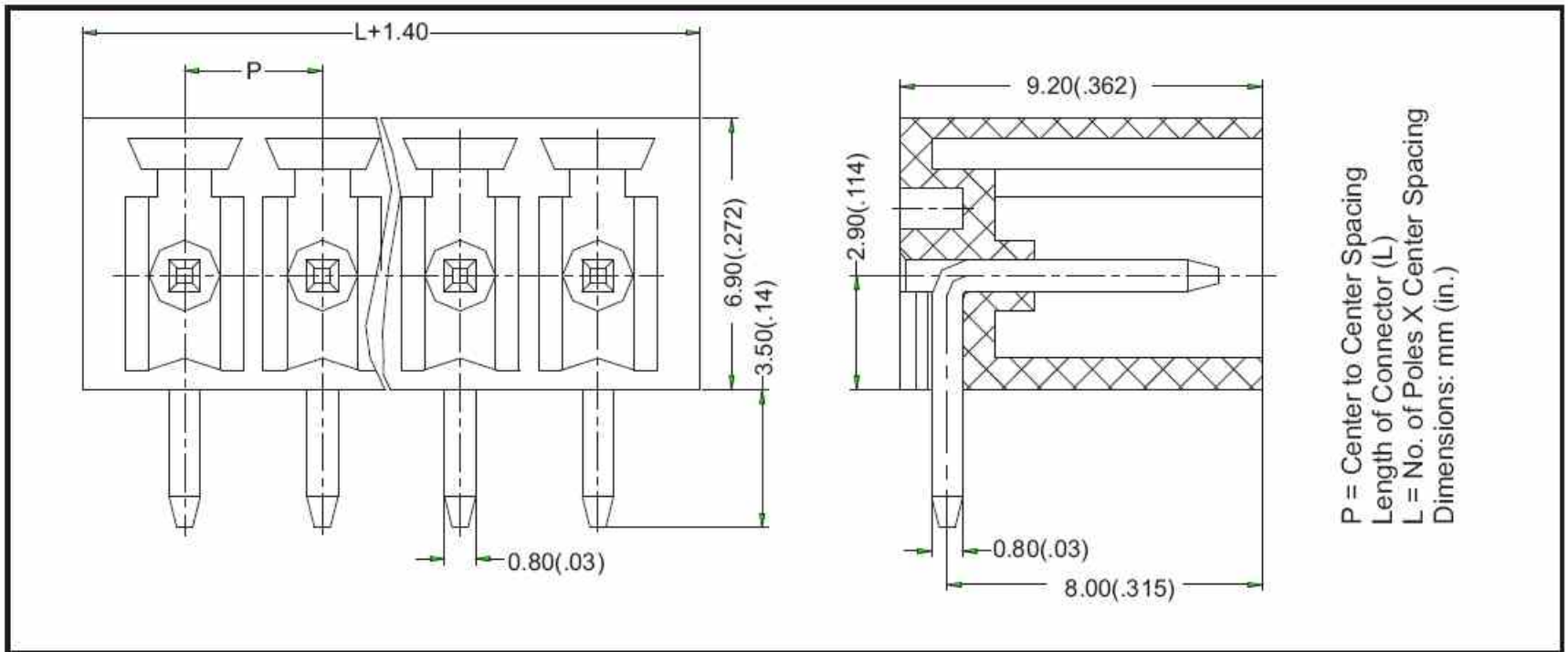
TYPE PTB350S



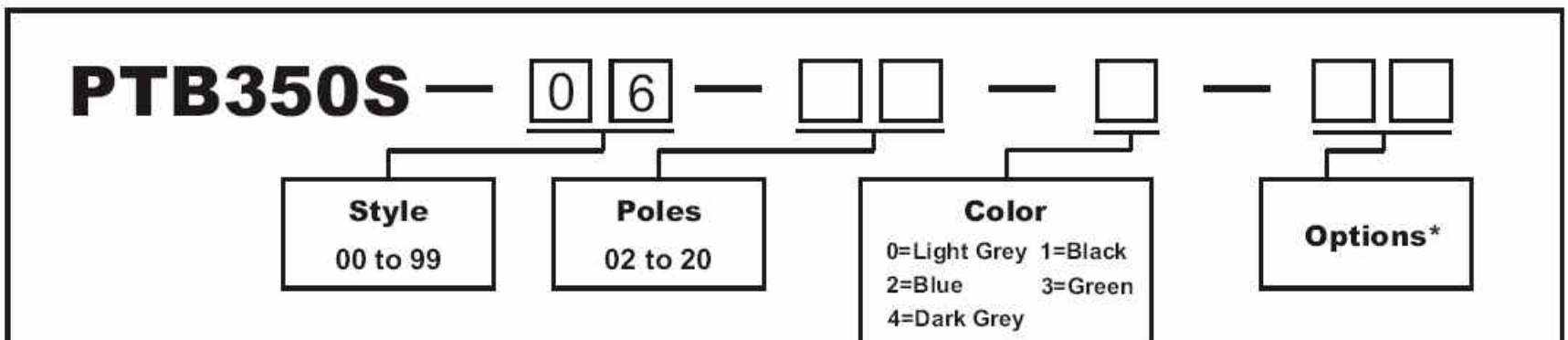
SPECIFICATIONS

WIRE ENTRANCE:Parallel to PCB	TERMINAL :Brass, Tin Plated
CENTER SPACING:3.50mm / 0.138in.	TEMPERATURE:
ELECTRICAL RATING:300V, 8A	OPERATING:-40°C to +105°C
BREAKDOWN VOLTAGE:4,000V	-40°F to + 221°F
MOLDING:Polyamide, UL94, V-0	MAX. SOLDERING:260°C , +500°F
Self Extinguishing	for 5 seconds

MECHANICAL DIMENSIONS



ORDERING INFORMATION



Options*: M1~M9, For Customer Modification (Please provide sketch).
 If more than one option is required, please separate each option with a dash (-).