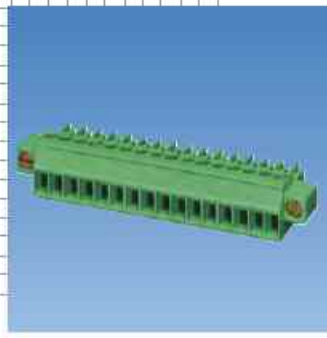


**PLUGGABLE  
TERMINAL BLOCK**



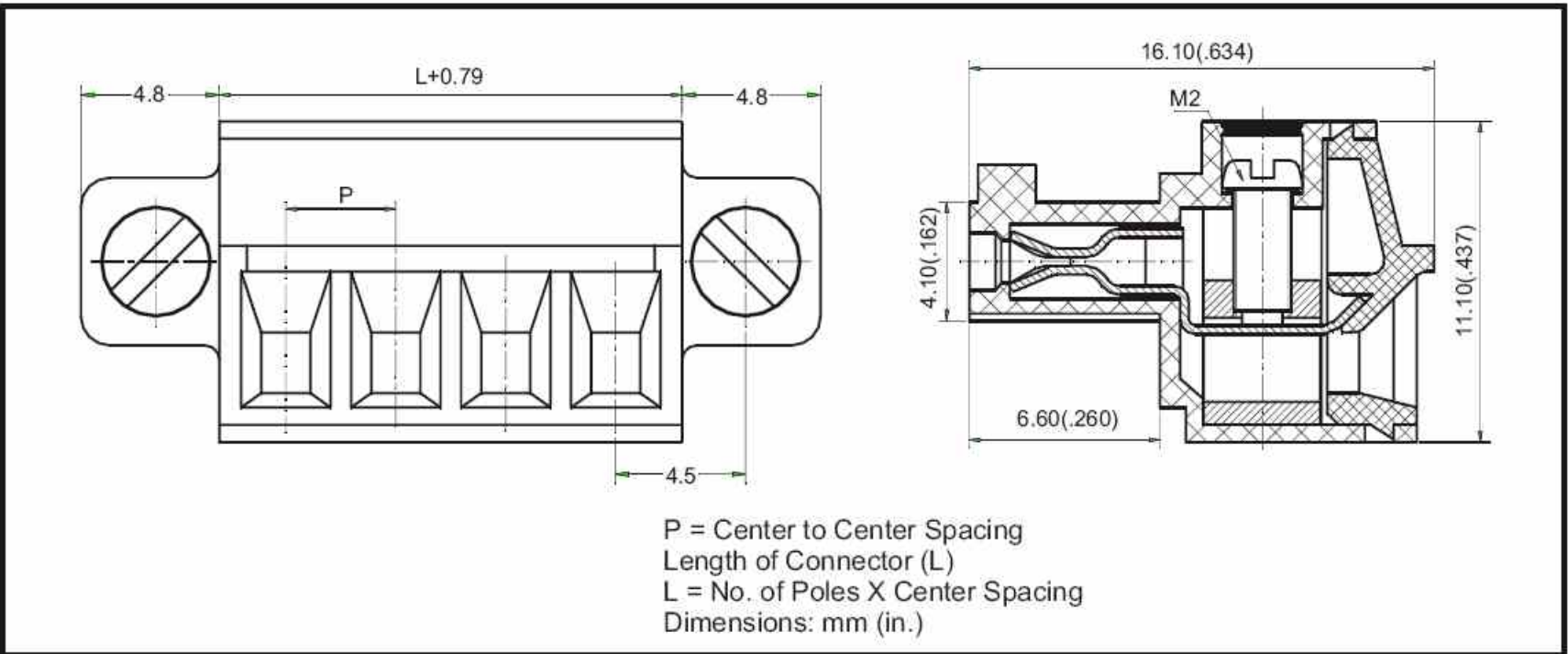
**TYPE PTB350B**



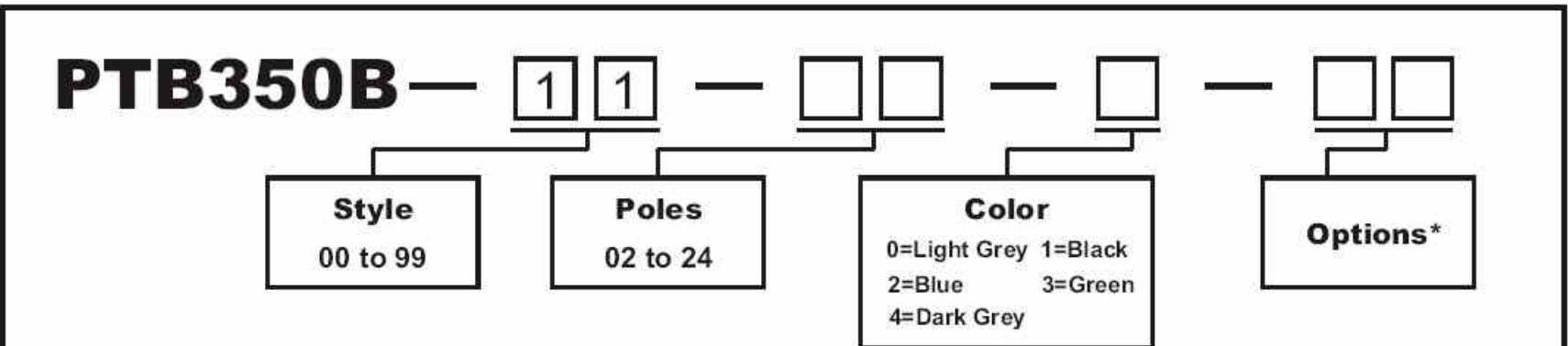
**SPECIFICATIONS**

|  |  |
|--|--|
| WIRE ENTRANCE: .....Parallel or Vertical<br>to PCB       | MAX. TORQUE: .....2 lb-in.                           |
| CENTER SPACING: .....3.81mm / 0.150in.                   | WIRE PROTECTOR:.....Bronze, Ni Plated                |
| WIRE RANGE: .....16–24 AWG                               | SCREW: ..... M2, Steel, Zinc Plated                  |
| ELECTRICAL RATING: .....300V, 8A                         | WIRE CAGE:.....Brass, Ni Plated                      |
| BREAKDOWN VOLTAGE: .....4,000V                           | OPERATING: .....-40°C to +105°C<br>-40°F to + 221°F  |
| MOLDING: .....Polyamide, UL94, V-0<br>Self Extinguishing | MAX. SOLDERING: .....260°C , +500°F<br>for 5 seconds |

**MECHANICAL DIMENSIONS**



**ORDERING INFORMATION**



**Options\*:** M1~M9, For Customer Modification (Please provide sketch).  
 If more than one option is required, please separate each option with a dash (-).