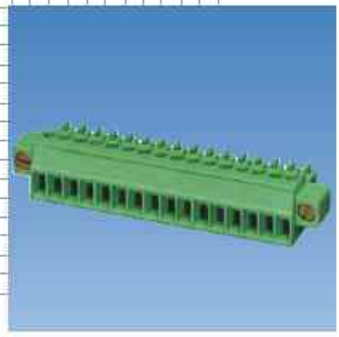


**PLUGGABLE
TERMINAL BLOCK**

TYPE PTB350B

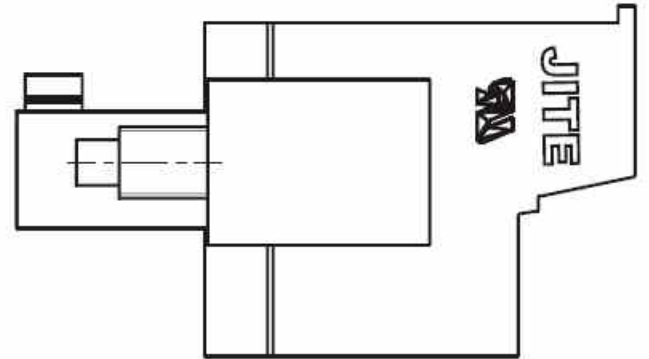
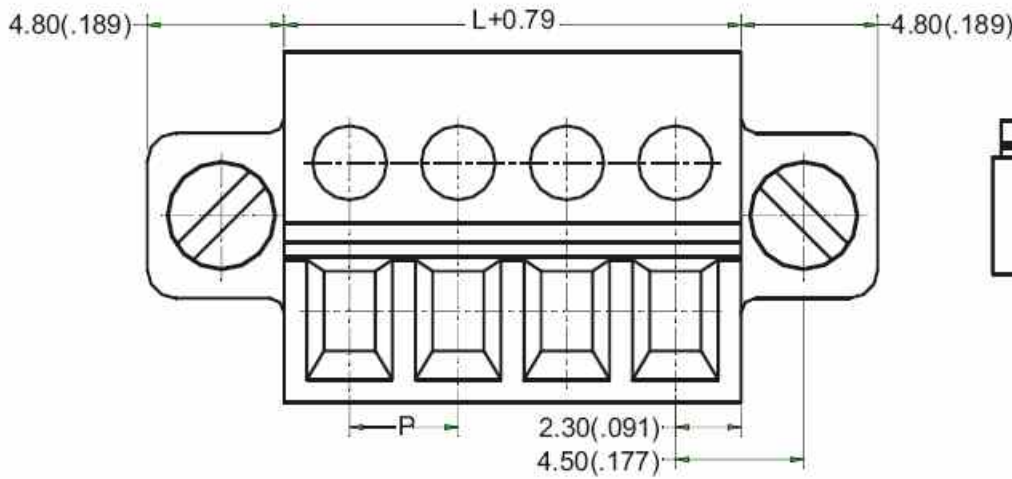


SPECIFICATIONS



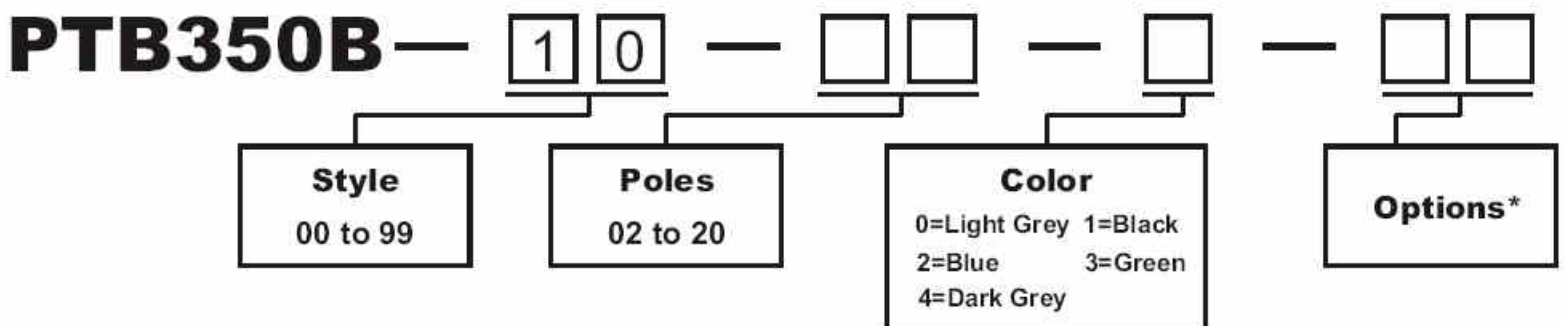
WIRE ENTRANCE:Parallel or Vertical to PCB	MAX. TORQUE:2.2 lb-in.
CENTER SPACING:3.81mm / 0.150in.	WIRE PROTECTOR:.....Bronze, Ni Plated
WIRE RANGE:16-24 AWG	SCREW: M2, Steel, Zinc Plated
ELECTRICAL RATING:300V, 8A	WIRE CAGE:.....Brass, Ni Plated
BREAKDOWN VOLTAGE:4,000V	OPERATING:-40°C to +105°C -40°F to + 221°F
MOLDING:Polyamide, UL94, V-0 Self Extinguishing	MAX. SOLDERING:260°C , +500°F for 5 seconds

MECHANICAL DIMENSIONS



P = Center to Center Spacing
 Length of Connector (L)
 L = No. of Poles X Center Spacing
 Dimensions: mm (in.)

ORDERING INFORMATION



Options*: M1~M9, For Customer Modification (Please provide sketch).
 If more than one option is required, please separate each option with a dash (-).