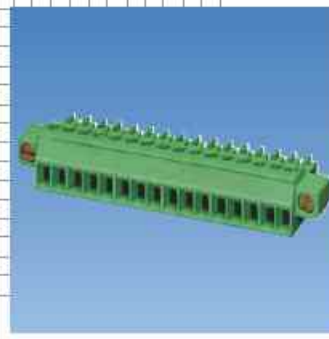


**PLUGGABLE  
TERMINAL BLOCK**



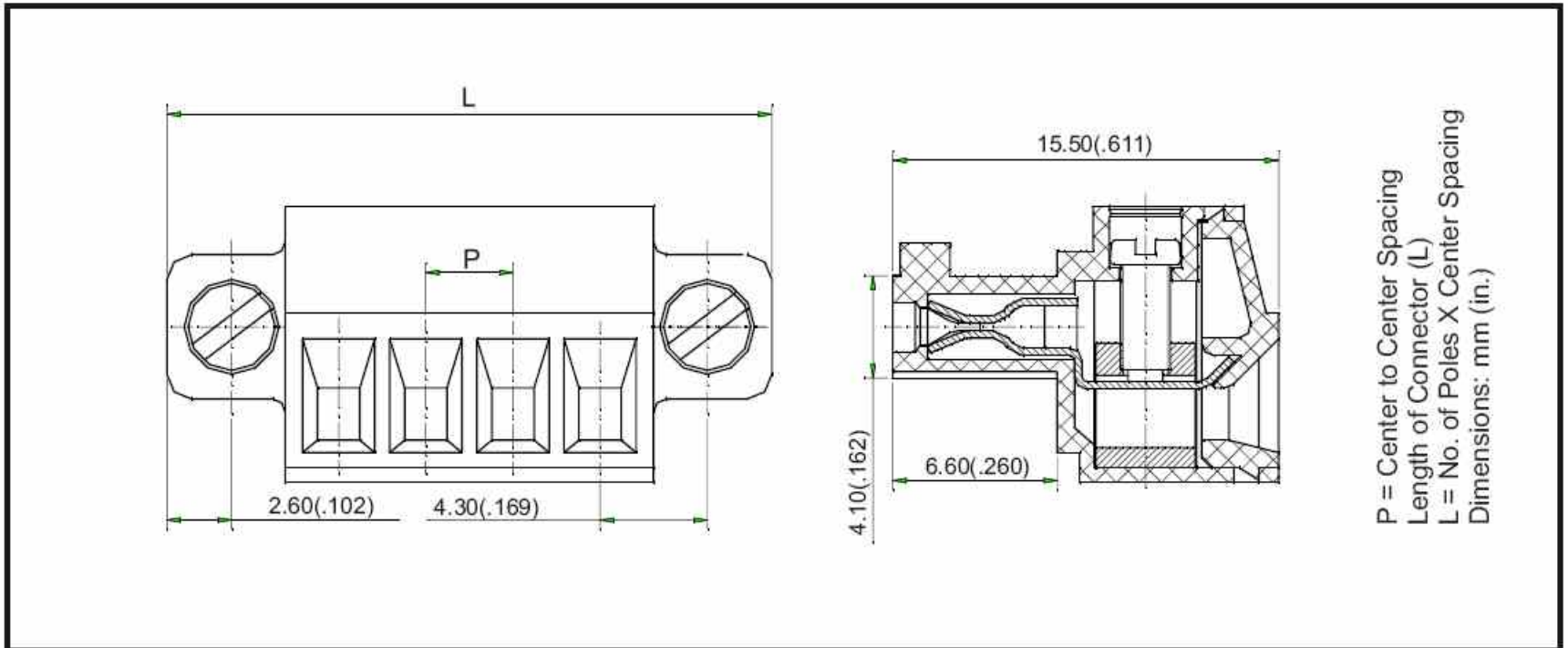
**TYPE PTB350B**



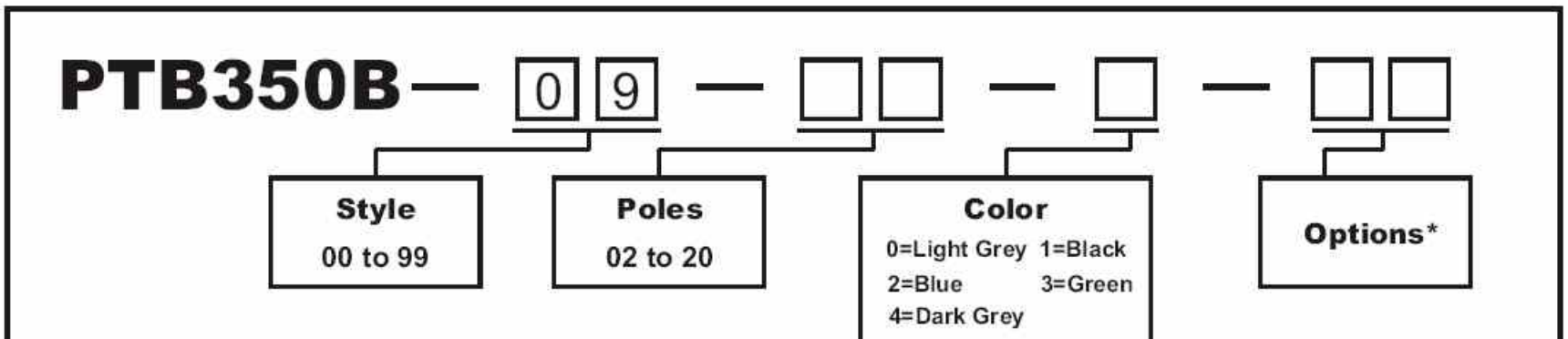
**SPECIFICATIONS**

WIRE ENTRANCE: .....Parallel or Vertical to PCB	MAX. TORQUE: .....2 lb-in.
CENTER SPACING: .....3.50mm / 0.138in.	WIRE PROTECTOR:.....Bronze, Ni Plated
WIRE RANGE: .....16-24 AWG	SCREW: ..... M2, Steel, Zinc Plated
ELECTRICAL RATING: .....300V, 8A	WIRE CAGE:.....Brass, Ni Plated
BREAKDOWN VOLTAGE: .....4,000V	OPERATING: .....-40°C to +105°C -40°F to + 221°F
MOLDING: .....Polyamide, UL94, V-0 Self Extinguishing	MAX. SOLDERING: .....260°C , +500°F for 5 seconds

**MECHANICAL DIMENSIONS**



**ORDERING INFORMATION**



**Options\*:** M1~M9, For Customer Modification (Please provide sketch).  
If more than one option is required, please separate each option with a dash (-).