

**PLUGGABLE
TERMINAL BLOCK**

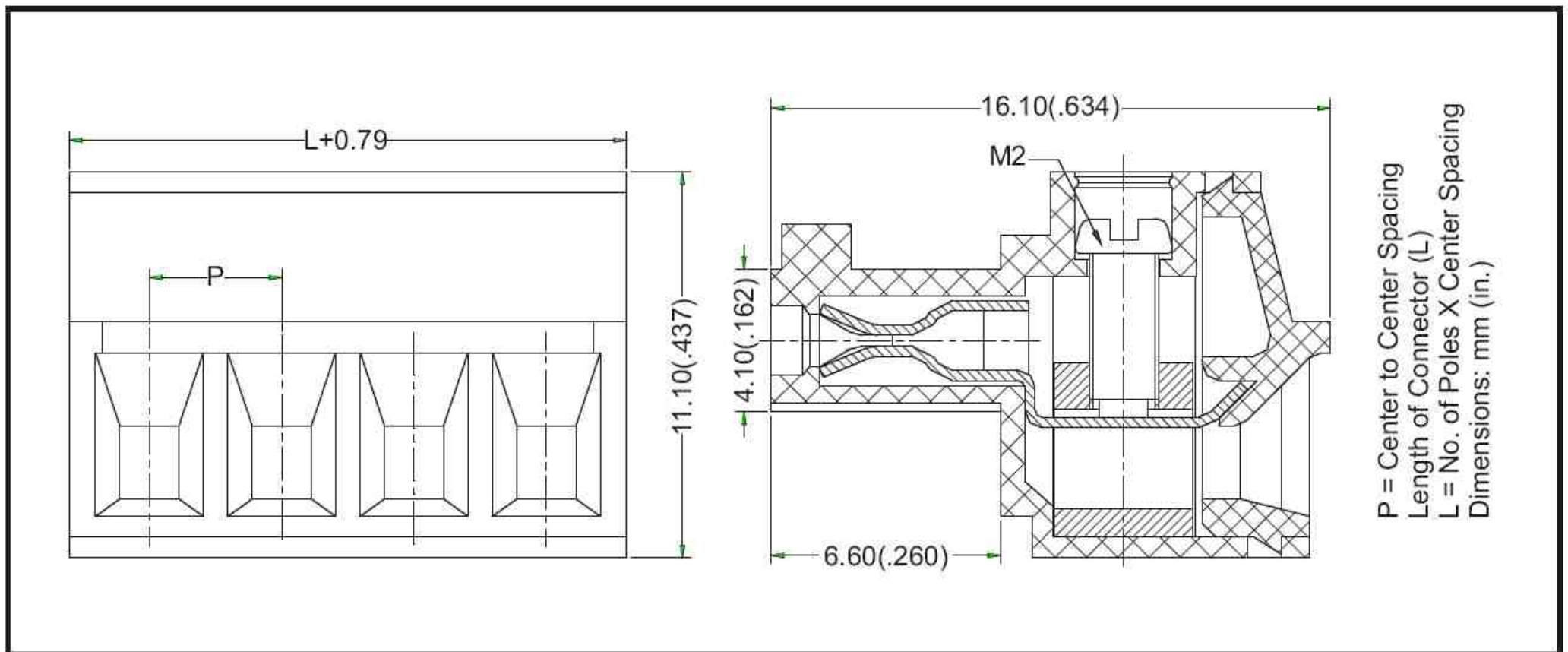
TYPE PTB350B



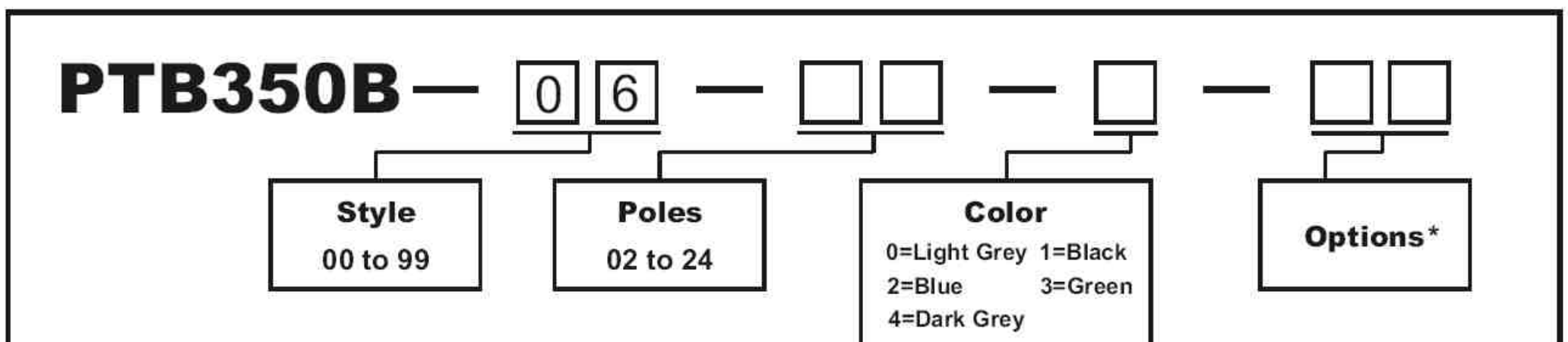
SPECIFICATIONS

WIRE ENTRANCE:Parallel or Vertical to PCB	MAX. TORQUE:2 lb-in.
CENTER SPACING:3.81mm / 0.150in.	WIRE PROTECTOR:.....Bronze, Ni Plated
WIRE RANGE:16--24 AWG	SCREW: M2, Steel, Zinc Plated
ELECTRICAL RATING:300V, 8A	WIRE CAGE:..... Brass, Ni Plated
BREAKDOWN VOLTAGE:4,000V	OPERATING:-40°C to +105°C -40°F to + 221°F
MOLDING:Polyamide, UL94, V-0 Self Extinguishing	MAX. SOLDERING:260°C , +500°F for 5 seconds

MECHANICAL DIMENSIONS



ORDERING INFORMATION



Options*: M1~M9, For Customer Modification (Please provide sketch).
If more than one option is required, please separate each option with a dash (-).