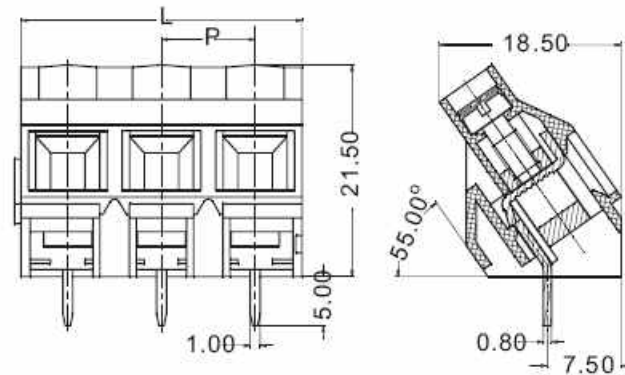




JTB950-01



P=Pitch
L=PxPoles

TECHNICAL DATA E183240

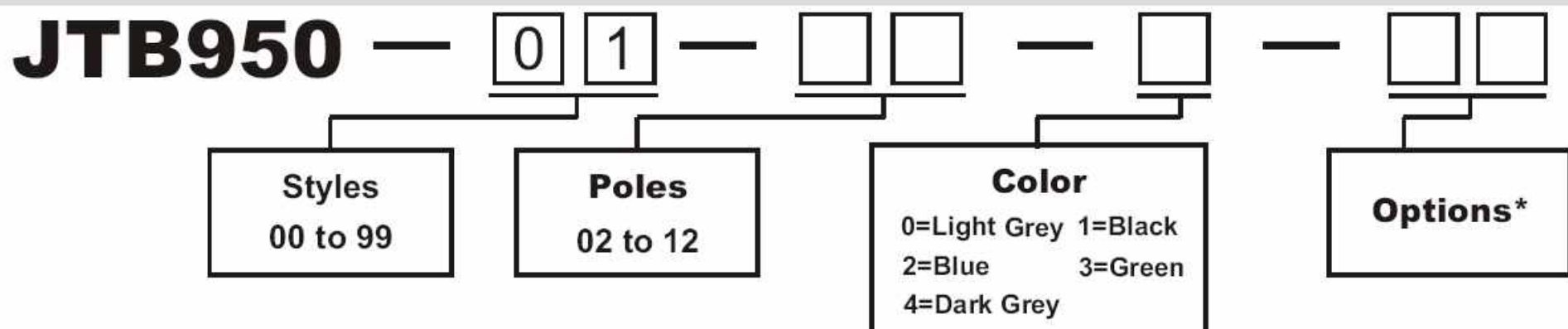
PITCH	9.52mm
WIRE RANGE	30-10AWG
MAX. TORQUE	5lb-in.
ELECTRICAL RATING	300V, 30A
BREAKDOWN VOLTAGE	8,000V
PEEL LENGTH	7.50mm

MATERIALS

BODY	PA,UL94,V-0
SCREW	M3,STEEL,ZICN PLATED
TERMINAL BODY	BRASS,TIN PLATED
WIRE PROTECTOR	BRASS,NICKEL PLATED
OPERATING	-40°C ~ +105°C
PCB HOLE DIAMETER	ø1.5mm

PxPoles	L	PxPoles	L
02	19.04	18	171.36
03	28.56	19	180.88
04	38.08	20	190.40
05	47.60	21	199.92
06	57.12	22	209.44
07	66.64	23	218.96
08	76.16	24	228.48
09	85.68		
10	95.20		
11	104.72		
12	114.24		
13	123.76		
14	133.28		
15	142.80		
16	152.32		
17	161.84		

ORDERING INFORMATION



Options*: M1~M9, For Customer Modification (Please provide sketch).

If more than one option is required, please separate each option with a dash (-).