

**EURO  
TERMINAL BLOCK**

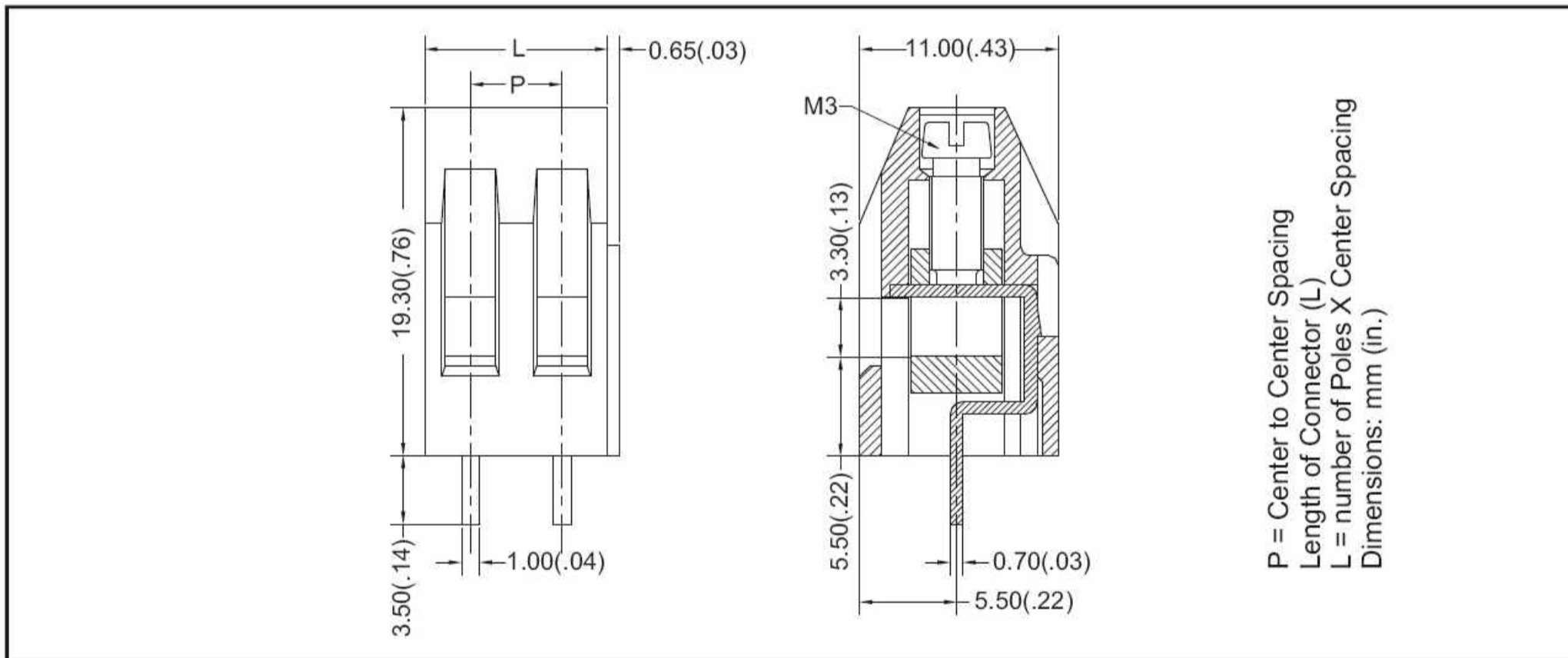
**TYPE JTB650**



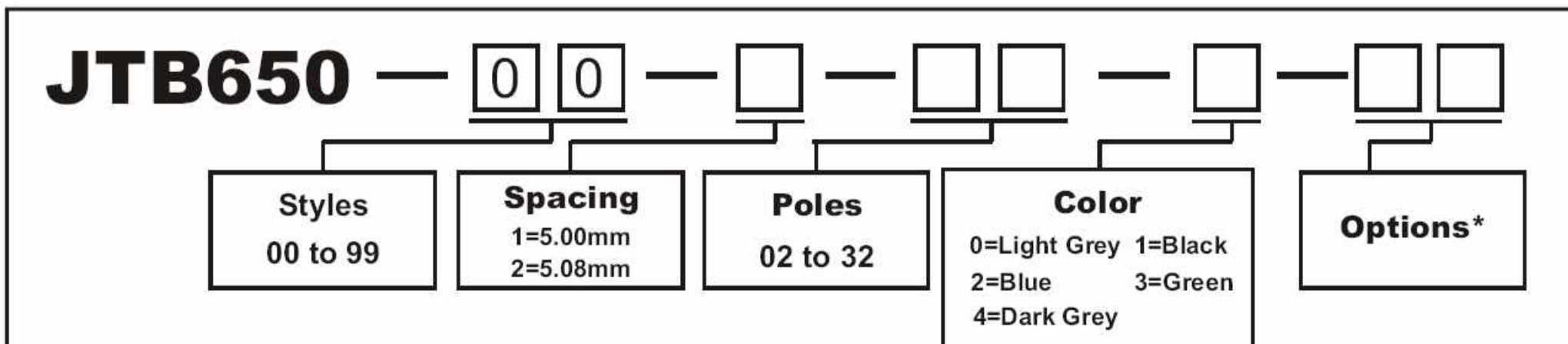
**SPECIFICATIONS**

WIRE ENTRANCE: .....Parallel to PCB	MAX. TORQUE: .....5lb-in.
CENTER SPACING: .....5.08mm / 0.200 in.	WIRE CAGE:.....Brass, Ni Plated
5.00mm / 0.197 in.	SCREW: .....M3, Steel, Zinc Plated
WIRE RANGE: .....14--22 AWG	TERMINAL : .....Brass, Tin Plated
ELECTRICAL RATING: .....300V, 10A	OPERATING: .....-40°C to +105°C
BREAKDOWN VOLTAGE: .....4,000V	-40°F to + 221°F
MOLDING: .....Polyamide, UL94, V-0	MAX. SOLDERING: .....260°C , +500°F
Self Extinguishing	for 5 seconds

**MECHANICAL DIMENSIONS**



**ORDERING INFORMATION**



**Options\*:** M1~M9, For Customer Modification (Please provide sketch).  
 If more than one option is required, please separate each option with a dash (-).