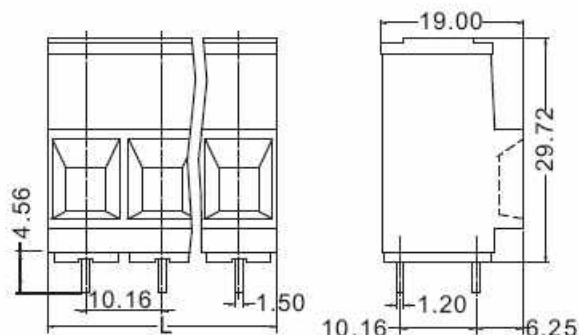




JTB558-00



P=Pitch
L=PxPoles

TECHNICAL DATA

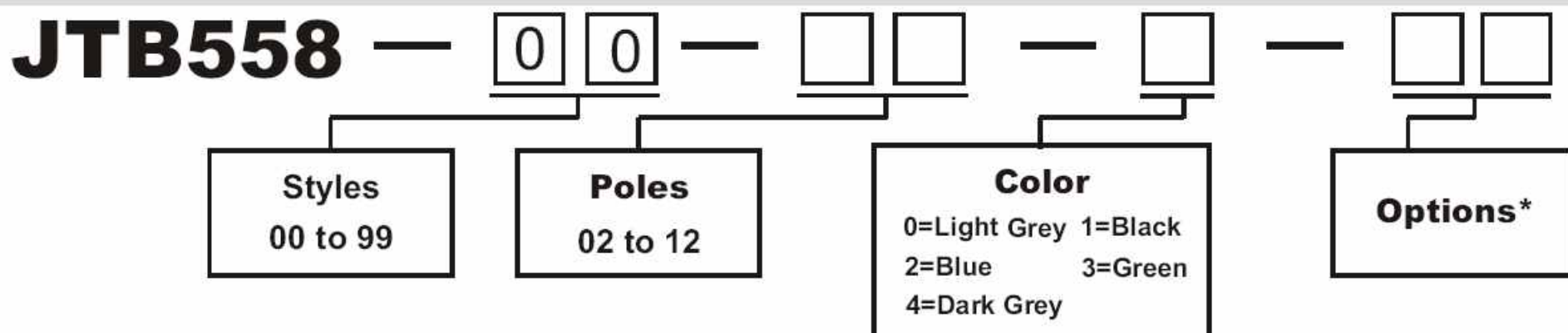
PITCH	10.16mm
WIRE RANGE	18--6AWG
MAX. TORQUE	12 lb-in.
ELECTRICAL RATING	600V, 50A
BREAKDOWN VOLTAGE	6,000V
PEEL LENGTH	10.00mm

MATERIALS

BODY	PBT,UL94,V-0
SCREW	M4,STEEL,ZINC PLATED
TERMINAL BODY	BRASS,TIN PLATED
WIRE PROTECTOR	BRASS,NICKEL PLATED
OPERATING	-40°C ~ +105°C
PCB HOLE DIAMETER	ø2.1mm

PxPoles	L
02	20.32
03	30.48
04	40.64
05	50.80
06	60.96
07	71.12
08	81.28
09	91.44
10	101.60
11	111.76
12	121.92

ORDERING INFORMATION



Options*: M1~M9, For Customer Modification (Please provide sketch).
If more than one option is required, please separate each option with a dash (-).