

**EURO
TERMINAL BLOCK**

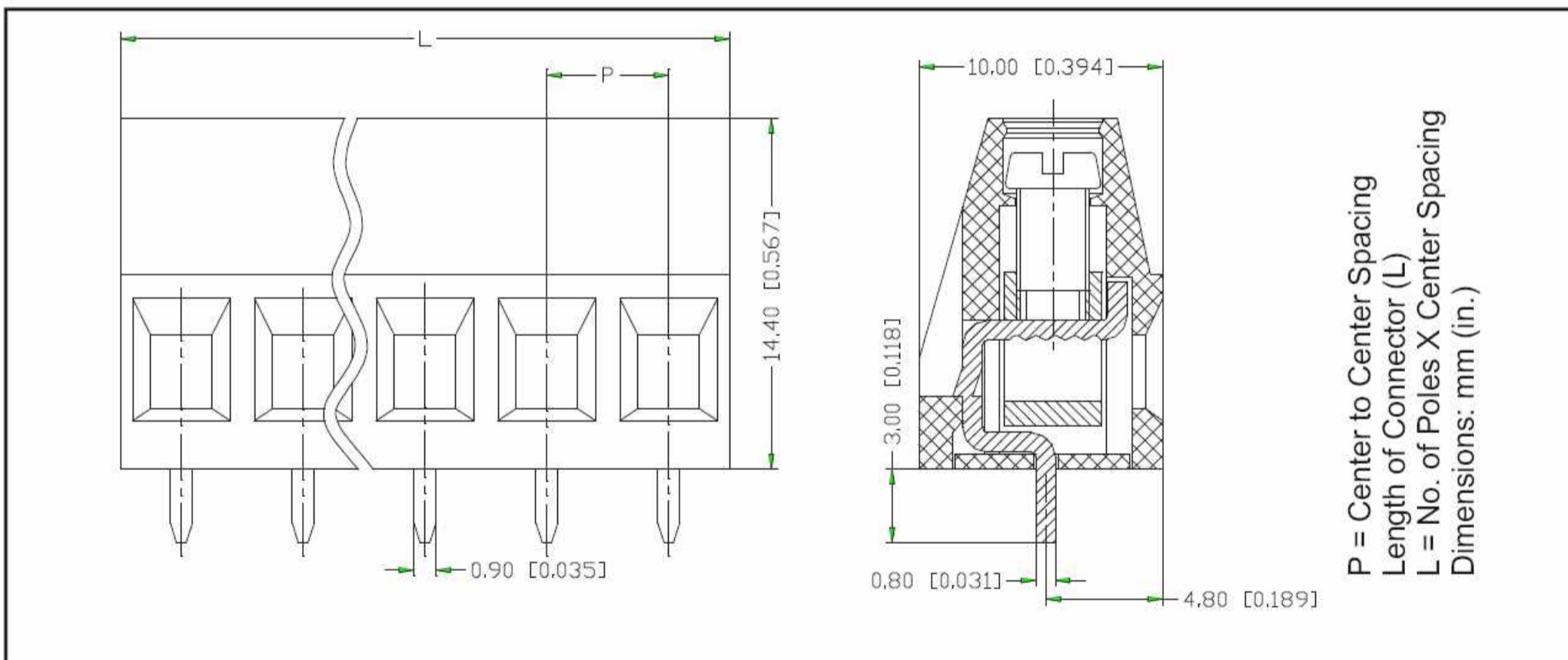
TYPE JTB552



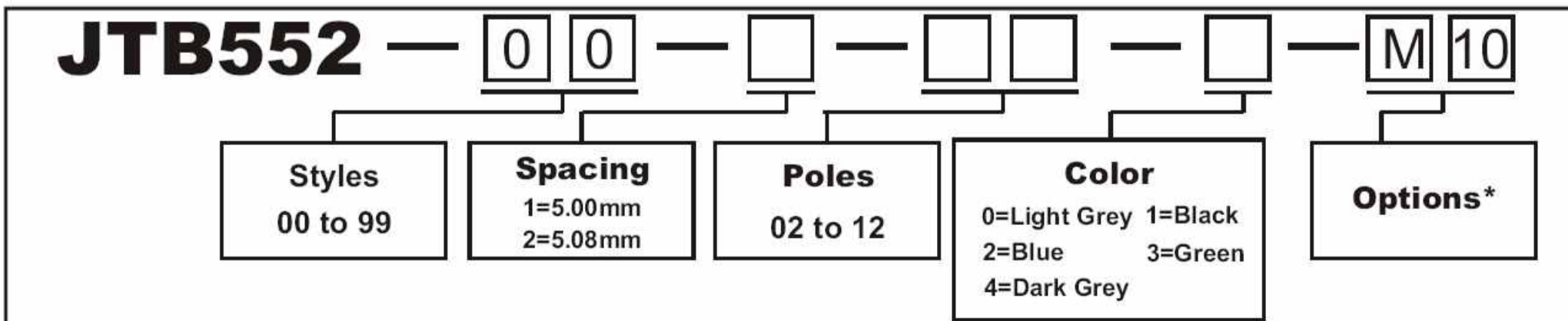
SPECIFICATIONS

WIRE ENTRANCE:Parallel to PCB	WIRE CAGE:Brass, Ni Plated
CENTER SPACING:5.08mm / 0.200 in. 5.00mm / 0.197 in.	SCREW:M3, Philips Steel Zinc Plated
WIRE RANGE:12--26 AWG	TERMINAL:Brass, Tin Plated
ELECTRICAL RATING:300V, 15A	TEMPERATURE:
BREAKDOWN VOLTAGE:4,000V	OPERATING:-40°C to +105°C -40°F to + 221°F
MOLDING:Polyamide, UL94, V-0 Self Extinguishing	MAX. SOLDERING:260°C , +500°F for 5 seconds
MAX. TORQUE:4.5 lb-in.	

MECHANICAL DIMENSIONS



ORDERING INFORMATION



Options*: M1~M9, For Customer Modification (Please provide sketch).
 If more than one option is required, please separate each option with a dash (-).