

**EURO  
TERMINAL BLOCK**

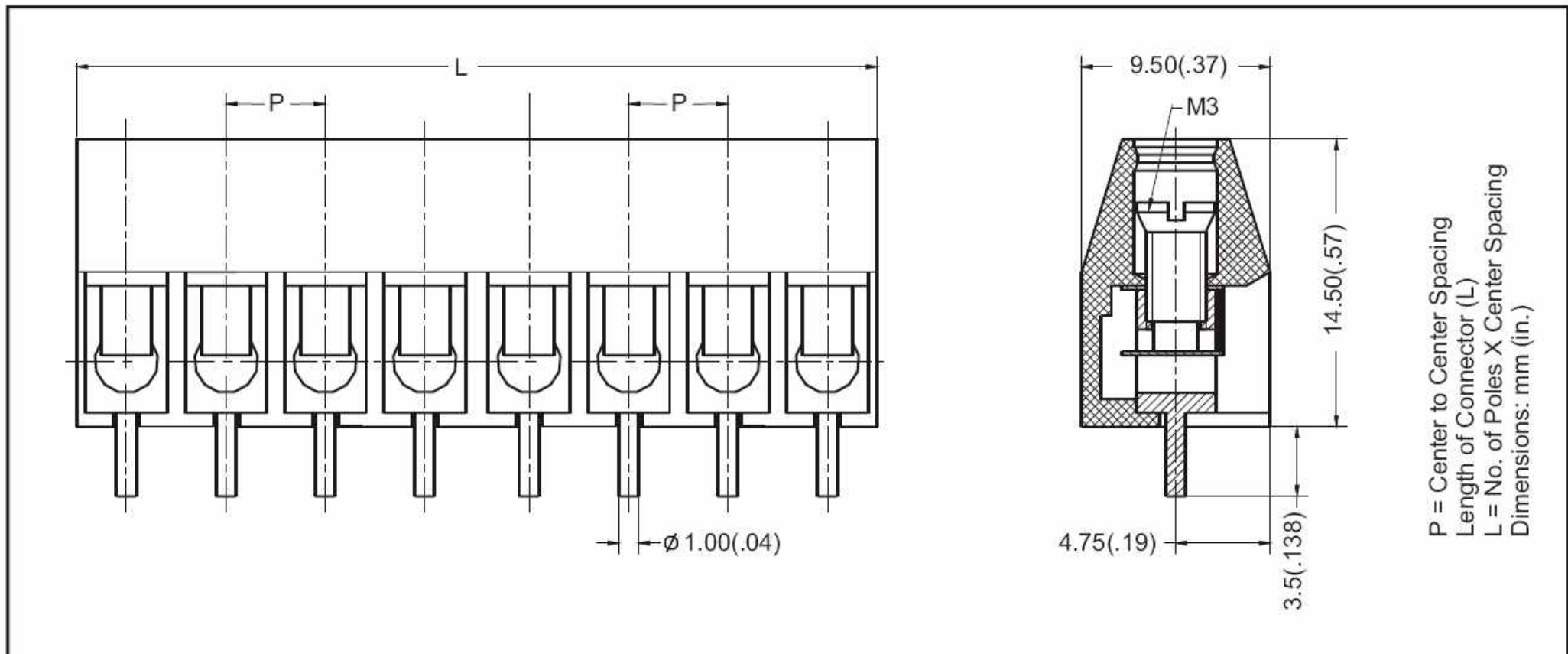
**TYPE JTB450**



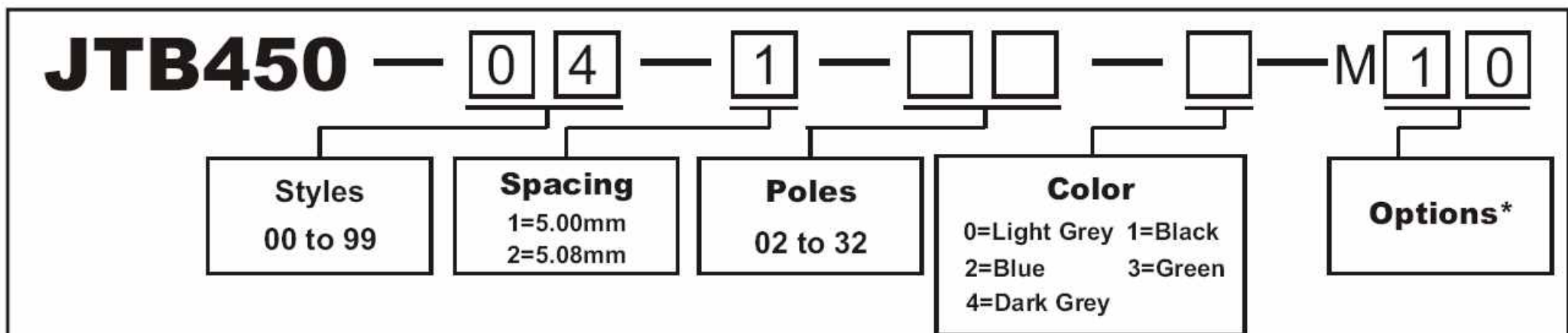
**SPECIFICATIONS**

WIRE ENTRANCE: .....Parallel to PCB	MAX. TORQUE: .....3 lb-in.
CENTER SPACING: .....5.00mm / 0.197 in.	WIRE PROTECTOR: .....Bronze, Ni Plated
WIRE RANGE: .....14-22 AWG	SCREW: .....M3, Steel, Zinc Plated
ELECTRICAL RATING: .....300V, 10A	TERMINAL BODY: .....Brass, Tin Plated
BREAKDOWN VOLTAGE: .....4,000V	OPERATING:.....-40°C to +105°C
MOLDING: .....Polyamide, UL94, V-0	-40°C to +221°F
Self Extinguishing	MAX SOLDERING:.....260°C,+500°F
	For 5 Seconds

**MECHANICAL DIMENSIONS**



**ORDERING INFORMATION**



**Options\*:** M1~M9, For Customer Modification (Please provide sketch).  
 If more than one option is required, please separate each option with a dash (-).