

**EURO
TERMINAL BLOCK**



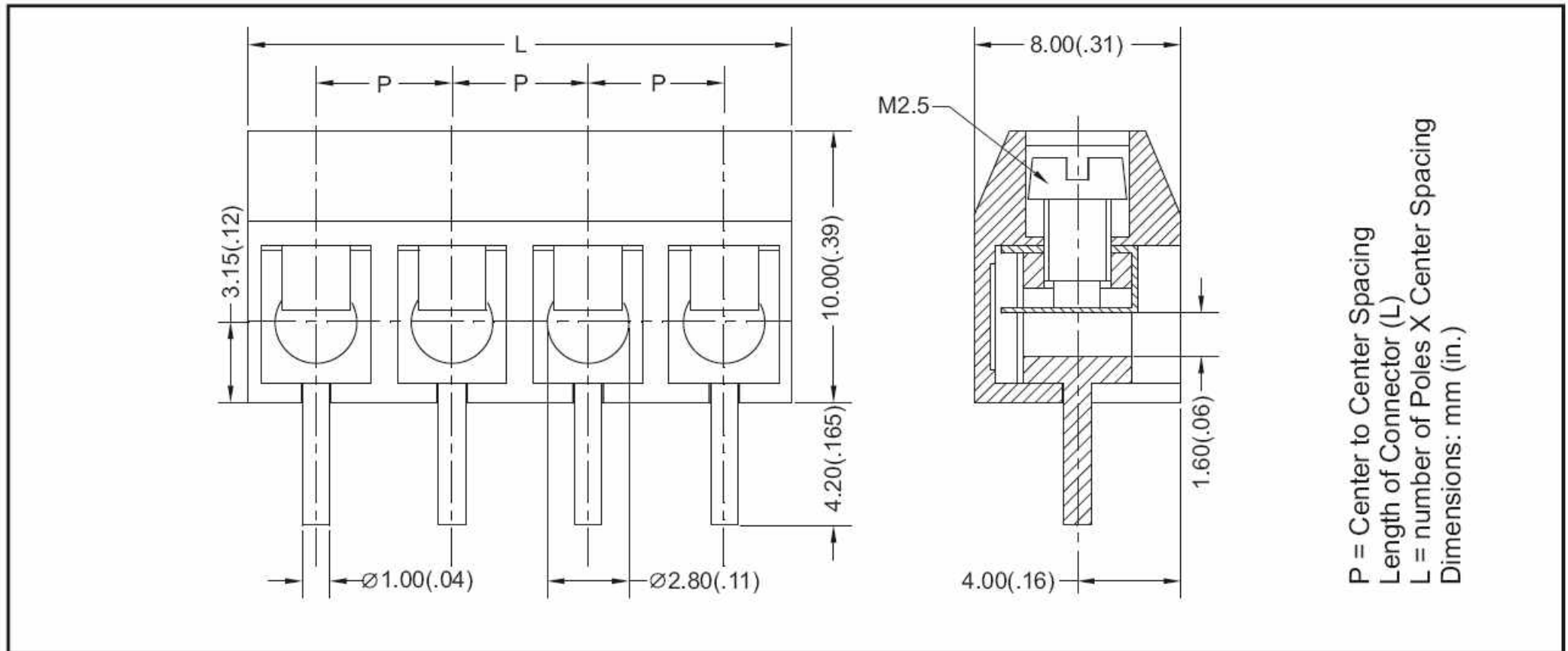
TYPE JTB450



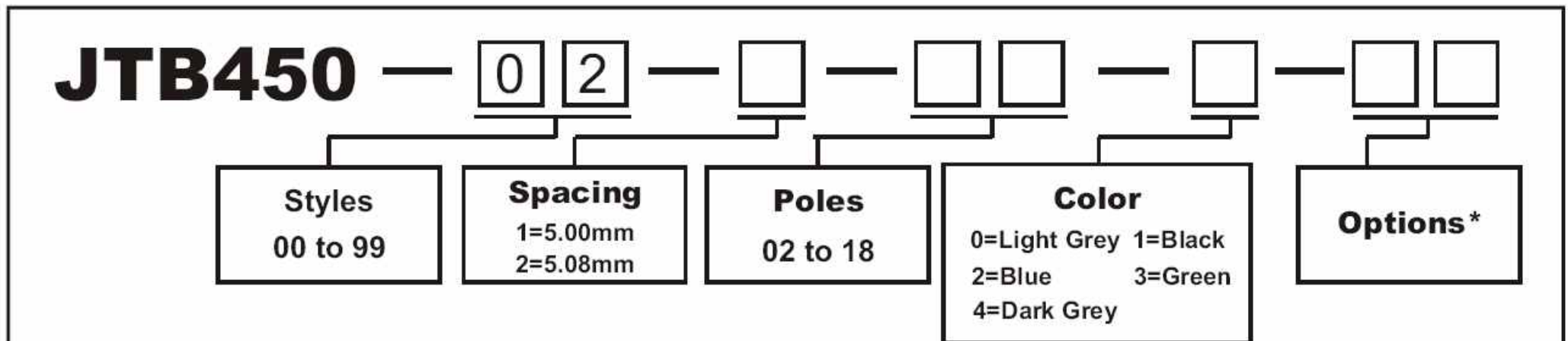
SPECIFICATIONS

WIRE ENTRANCE:Parallel to PCB	MAX. TORQUE:3 lb-in.
CENTER SPACING:5.00mm / 0.197 in.	WIRE PROTECTOR:Copper, Ni Plated
WIRE RANGE:14-22 AWG	SCREW:M2.5, Steel, Zinc Plated
ELECTRICAL RATING:300V, 10A	TERMINAL BODY:Brass, Tin Plated
BREAKDOWN VOLTAGE:4,000V	OPERATING:-40°C to +105°C -40°F to + 221°F
MOLDING:Polyamide, UL94, V-0 Self Extinguishing	MAX. SOLDERING:260°C , +500°F for 5 seconds

MECHANICAL DIMENSIONS



ORDERING INFORMATION



Options*: M1~M9, For Customer Modification (Please provide sketch).
If more than one option is required, please separate each option with a dash (-).