

**EURO
TERMINAL BLOCK**



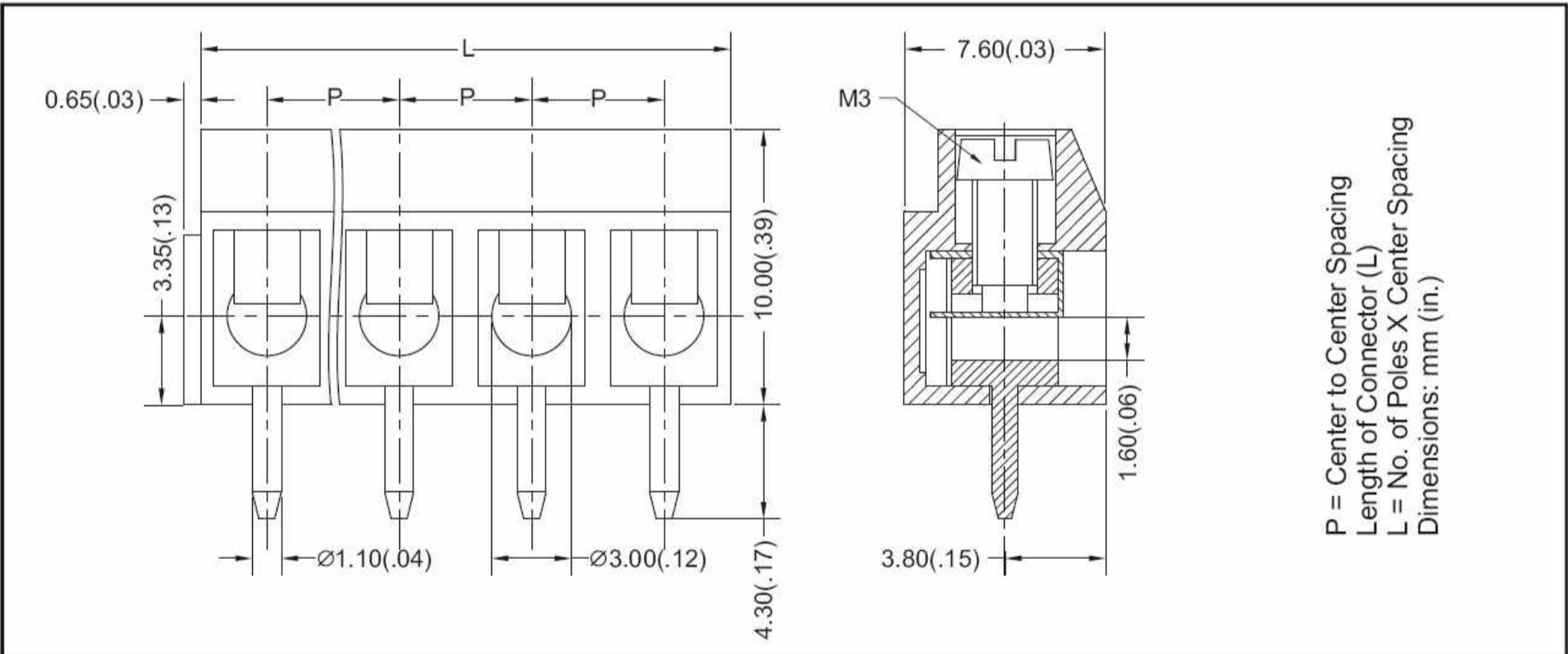
TYPE JTB450



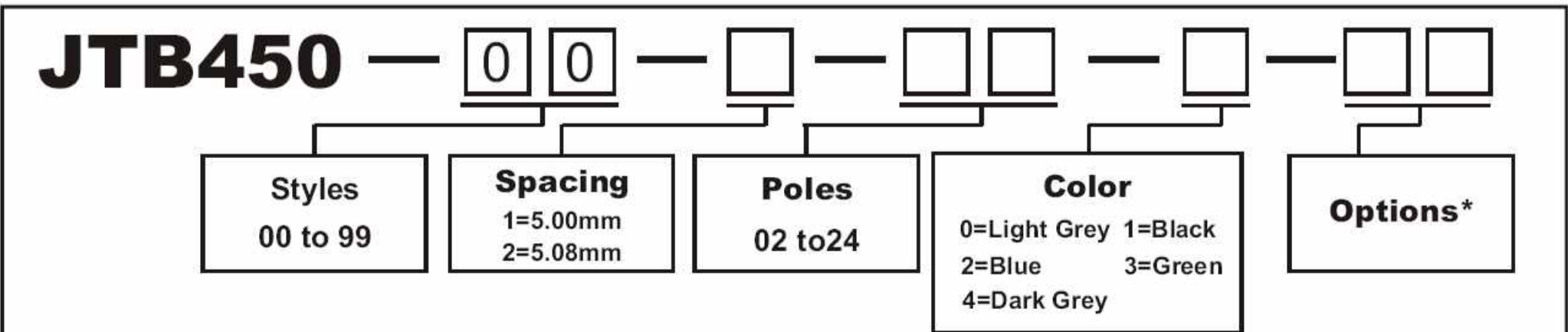
SPECIFICATIONS

WIRE ENTRANCE:Parallel to PCB	MAX. TORQUE:3lb-in.
CENTER SPACING:5.08mm / 0.200 in.	WIRE PROTECTOR:Brass, Ni Plated
5.00mm / 0.197 in.	SCREW:M3, Steel, Zinc Plated
WIRE RANGE:14--22 AWG	TERMINAL BODY :Brass, Tin Plated
ELECTRICAL RATING:300V, 10A	OPERATING:-40°C to +105°C
BREAKDOWN VOLTAGE:4,000V	-40°F to + 221°F
MOLDING:Polyamide, UL94, V-0	MAX. SOLDERING:260°C , +500°F
Self Extinguishing	for 5 seconds

MECHANICAL DIMENSIONS



ORDERING INFORMATION



Options*: M1~M9, For Customer Modification (Please provide sketch).
 If more than one option is required, please separate each option with a dash (-).