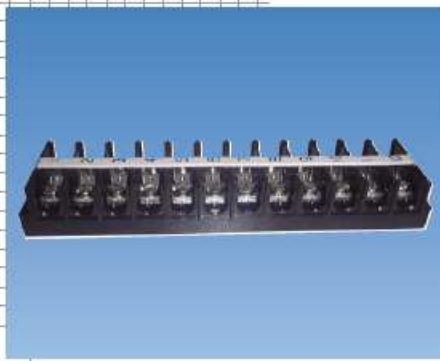


**BARRIER
TERMINAL BLOCK**



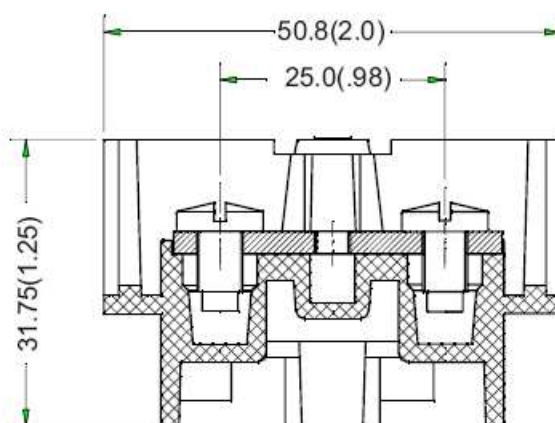
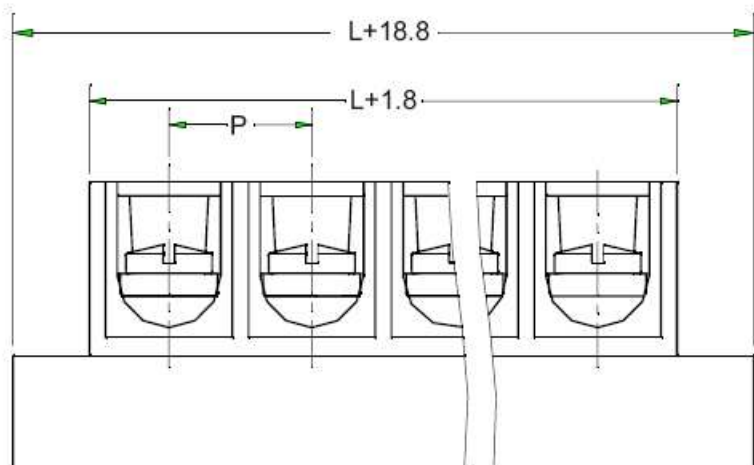
TYPE BTB671

SPECIFICATIONS



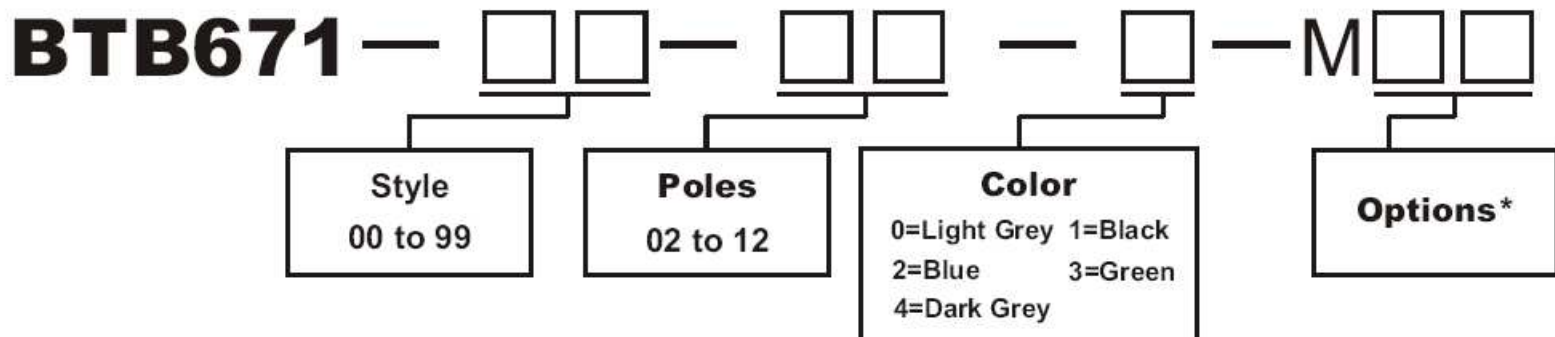
WIRE ENTRANCE:Parallel to PCB	MOLDING:Polycarbonate,UL94 ,V-0
CENTER SPACING:15.88mm / 0.625 in.	MAX. TORQUE:20 lb-in.
WIRE RANGE: AWG #6max	CONDUCTOR BAR:.....Brass, Tin Plated
ELECTRICAL RATING:600V, 60A	SCREW: M5, Brass, Ni Plated
.....600V, 75A*	OPERATING:-40°C to +120°C
*75A rating Wiring with the use of 6AWG-40°F to + 248°F
prepared conductors	MAX. SOLDERING:260°C , +500°F
BREAKDOWN VOLTAGE:6,000Vfor 5 seconds

MECHANICAL DIMENSIONS



P = Center to Center Spacing
 Length of Connector (L)
 L = number of Poles X Center Spacing
 Dimensions: mm (in.)

ORDERING INFORMATION



Options*: M1~M9, For Customer Modification (Please provide sketch).
 If more than one option is required, please separate each option with a dash (-).