

**BARRIER
TERMINAL BLOCK**

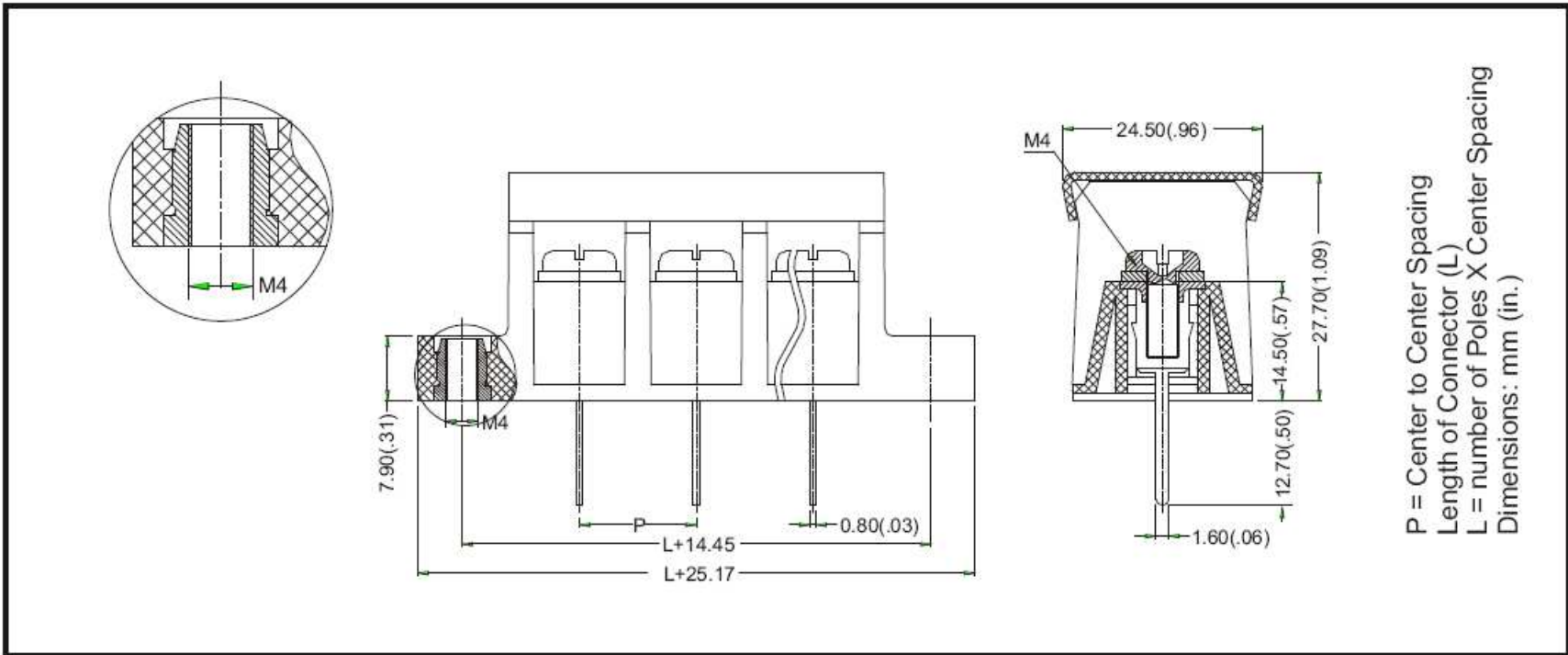
TYPE BTB656



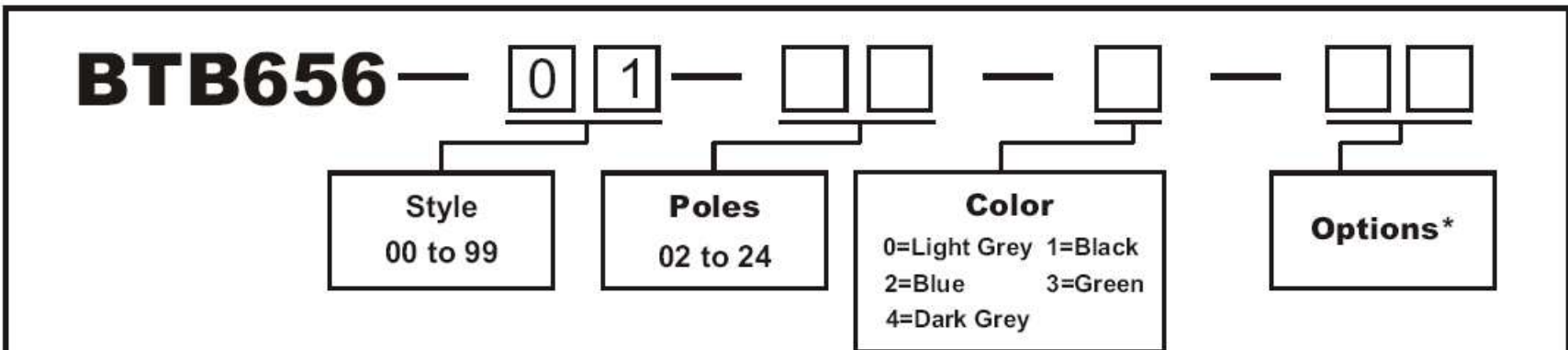
SPECIFICATIONS

WIRE ENTRANCE:Parallel to PCB	MAX. TORQUE:13 lb-in.
CENTER SPACING:14.27mm / 0.562 in.	PRESSURE PLATE:.....Steel, Ni Plated
WIRE RANGE:10–16 AWG	SCREW: M4, Steel, Ni Plated
ELECTRICAL RATING:600V, 25A	TERMINAL :Brass, Tin Plated
BREAKDOWN VOLTAGE:6,000V	OPERATING:-40°C to +120°C
MOLDING:Thermoplastic, UL94, V-0, Self Extinguishing	MAX. SOLDERING:260°C , +500°F
COVER:.....PC Transparent	for 5 seconds

MECHANICAL DIMENSIONS



ORDERING INFORMATION



Options*: M1~M9, For Customer Modification (Please provide sketch).
If more than one option is required, please separate each option with a dash (-).