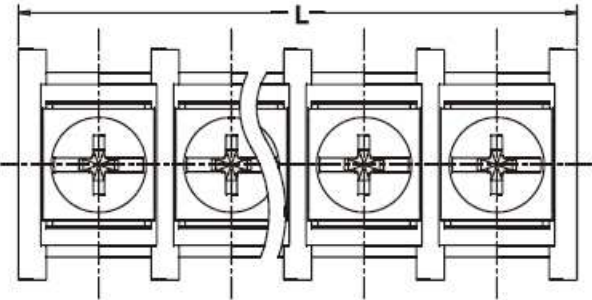
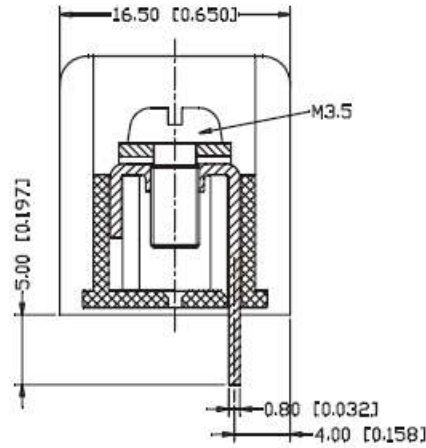
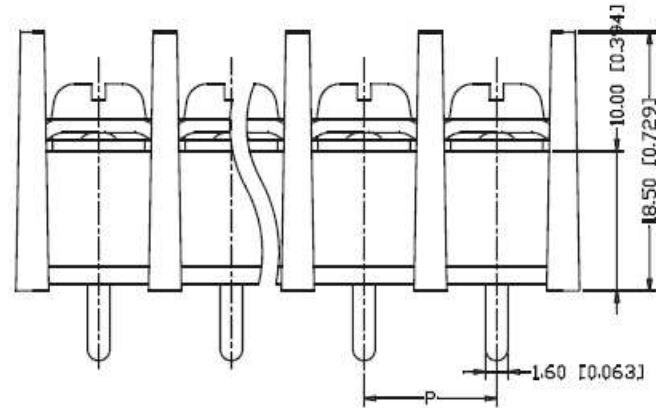




Style 15



Style 15

P=Center to Center Spacing
L=number of Poles x Spacing+2.0
Dimensions: mm (in.)

TECHNICAL DATA

WIRE ENTRANCE	Parallel to PCB
PITCH	9.525mm / 0.375in.
WIRE RANGE	12--22AWG
MAX. TORQUE	7lb-in.

MATERIALS

BODY	Polycarbonate, UL94, V-0 Self Extinguishing
SCREW	M3.5, Steel, Ni Plated
PRESSURE PLATE	Steel, Ni Plated
TERMINAL	Brass, Tin Plated

TEMPERATURE

OPERATING	-40°C to +120°C -40°F to + 248°F
MAX. SOLDERING	260°C, +500°F for 5 seconds

ELECTRICAL DATA

ELECTRICAL RATING	300V, 20A
BREAKDOWN VOLTAGE	4,000V

ORDERING INFORMATION

Type	Style	Poles	Color	Options*
BTB654	15	□□	□	M□
	00 to 99	02 to 30	0=Light Grey 1=Black 2=Blue 3=Green 4=Dark Grey	

If more than one option is required, please separate each option with a dash(-).