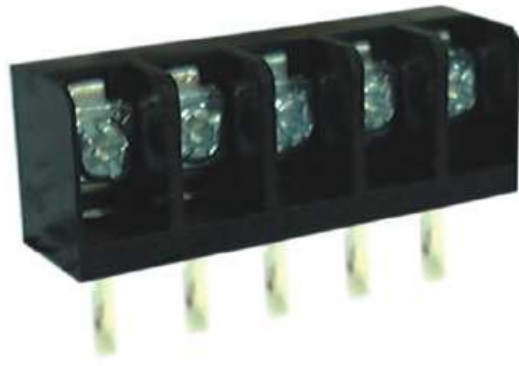


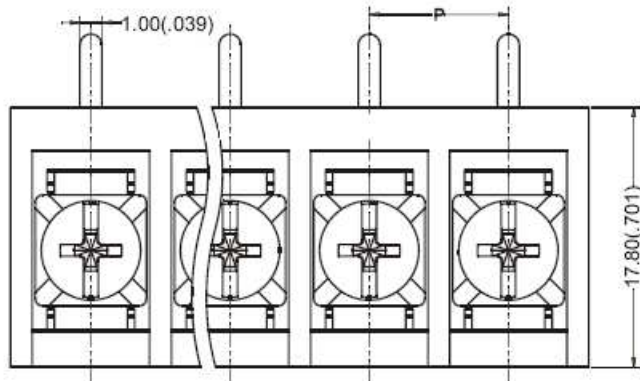
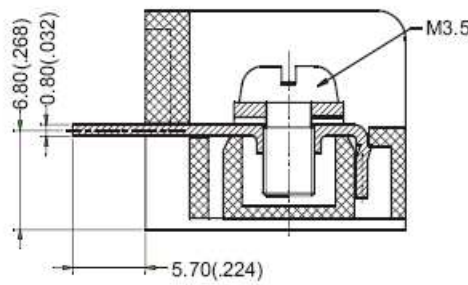
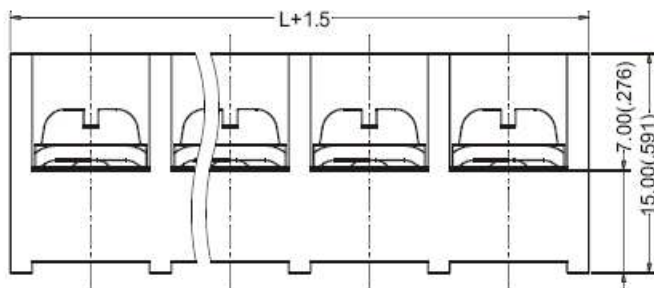


TYPE BTB654

BARRIER TERMINAL BLOCK



Style 12



Style 12

P=Center to Center Spacing
 L=number of Poles x Spacing+1.50
 Dimensions: mm (in.)

TECHNICAL DATA

WIRE ENTRANCE	Parallel to PCB
PITCH	9.525mm / 0.375in.
WIRE RANGE	12--22AWG
MAX. TORQUE	7lb-in.

MATERIALS

BODY	Polycarbonate, UL94, V-0 Self Extinguishing
SCREW	M3.5, Steel, Ni Plated
PRESSURE PLATE	Steel, Ni Plated
TERMINAL	Brass, Tin Plated

TEMPERATURE

OPERATING	-40°C to +120°C -40°F to + 248°F
MAX. SOLDERING	260°C, +500°F for 5 seconds

ELECTRICAL DATA

ELECTRICAL RATING	300V, 20A
BREAKDOWN VOLTAGE	4,000V

Poles	L	Poles	L
02	20.55	17	163.425
03	30.075	18	172.95
04	39.60	19	182.475
05	49.125	20	192.00
06	58.65	21	201.525
07	68.175	22	211.05
08	77.70	23	220.575
09	87.225	24	230.10
10	96.75	25	239.625
11	106.275	26	249.15
12	115.80	27	258.675
13	125.325	28	268.20
14	134.85	29	277.725
15	144.375	30	287.25
16	153.90	31	296.775

* Dimensions in millimeters

ORDERING INFORMATION

Type	Style	Poles	Color	Options*
BTB654	— 1 2	— <input type="checkbox"/> <input type="checkbox"/>	— <input type="checkbox"/>	— M <input type="checkbox"/> <input type="checkbox"/>
	00 to 99	02 to 31	0=Light Grey 1=Black 2=Blue 3=Green 4=Dark Grey	

If more than one option is required, please separate each option with a dash(-).