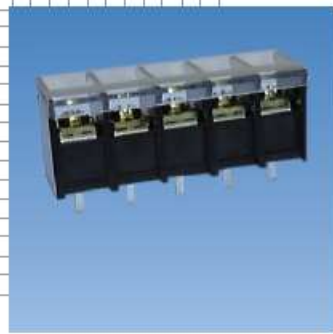


**BARRIER
TERMINAL BLOCK**

TYPE BTB654

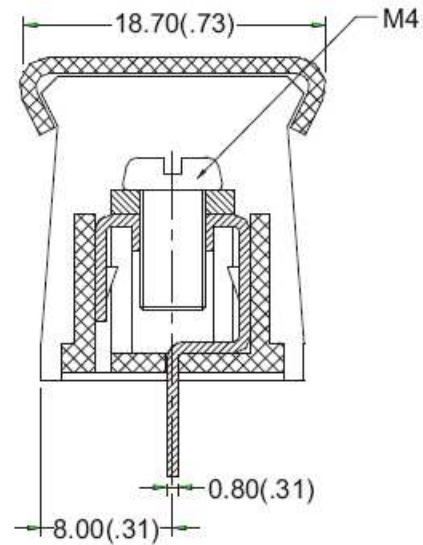
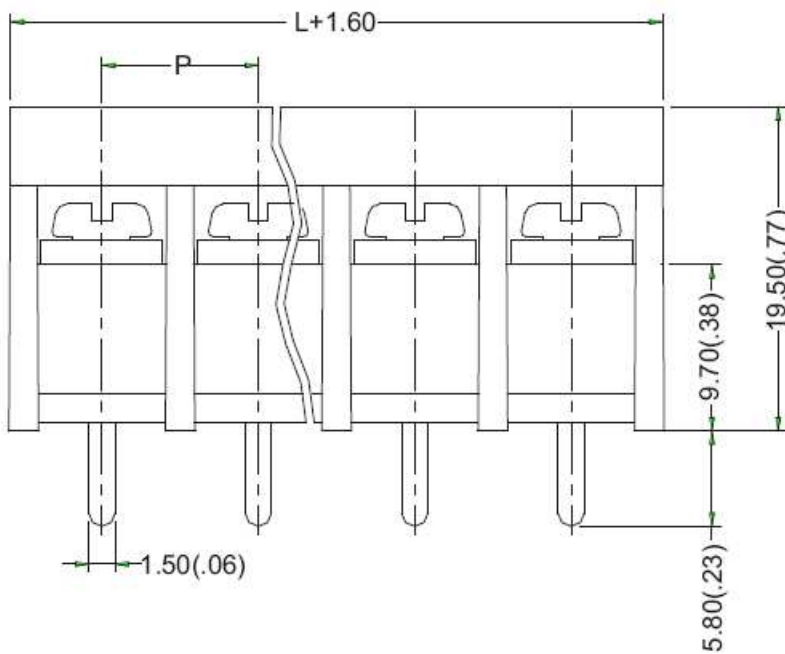


SPECIFICATIONS



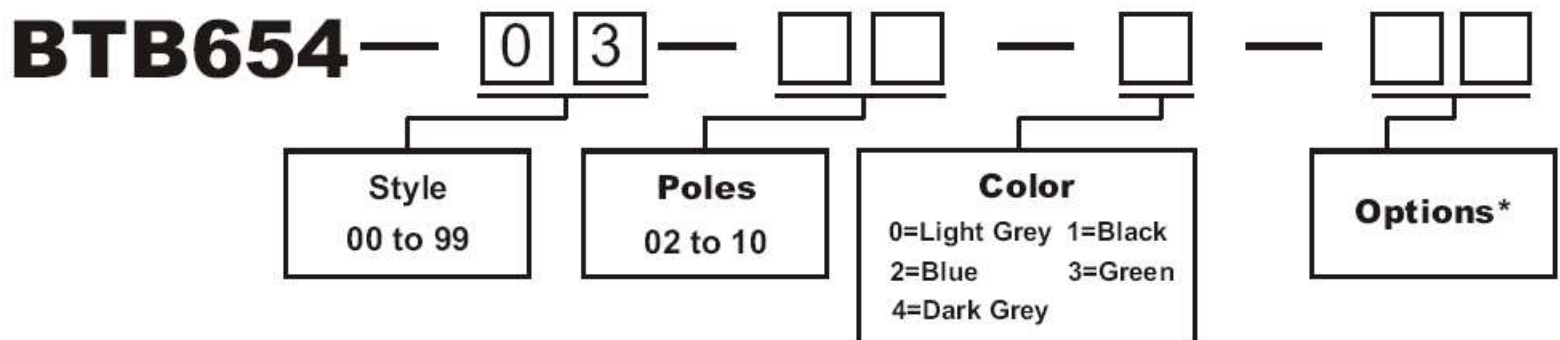
WIRE ENTRANCE:Parallel to PCB	MAX. TORQUE:7 lb-in.
CENTER SPACING:9.525mm / 0.375 in.	PRESSURE PLATE:.....Steel, Ni Plated
WIRE RANGE:12--22 AWG	SCREW: M4, Steel, Ni Plated
ELECTRICAL RATING:300V, 20A	TERMINAL :Brass, Tin Plated
BREAKDOWN VOLTAGE:4,000V	OPERATING:-40°C to +120°C
MOLDING:Thermoplastic, UL94, V-0, Self Extinguishing	MAX. SOLDERING:260°C , +500°F
COVER:.....PC Transparent	for 5 seconds

MECHANICAL DIMENSIONS



P = Center to Center Spacing
 Length of Connector (L)
 L = number of Poles X Center Spacing
 Dimensions: mm (in.)

ORDERING INFORMATION



Options*: M1~M9, For Customer Modification (Please provide sketch).
 If more than one option is required, please separate each option with a dash (-).