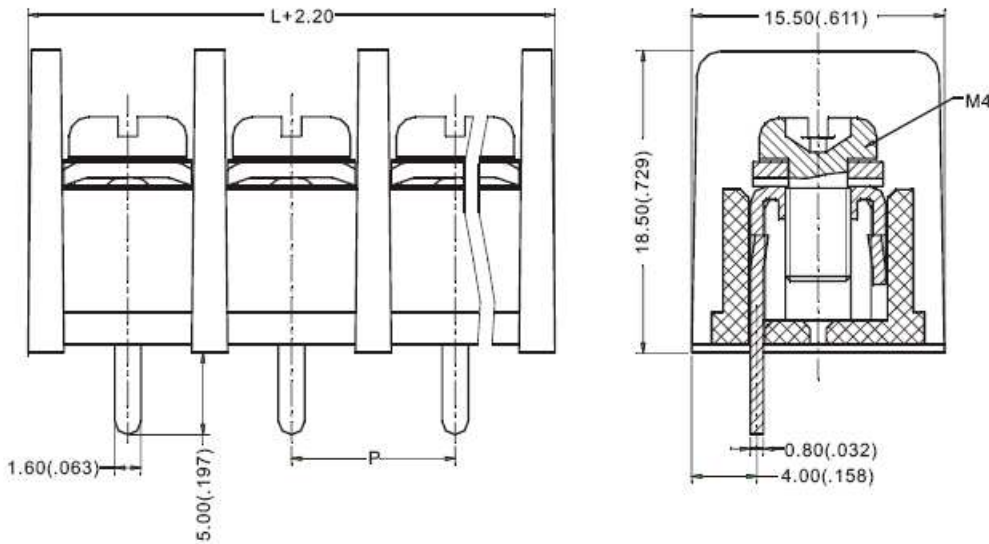




Style 06



Style 06

P=Center to Center Spacing
 L=number of Poles x Spacing
 Dimensions: mm (in.)

TECHNICAL DATA

WIRE ENTRANCE	Parallel to PCB
PITCH	10.00mm / 0.394in.
WIRE RANGE	12--26AWG
MAX. TORQUE	13lb-in.

MATERIALS

BODY	PBT+GF30%, UL94, V-0 Self Extinguishing
SCREW	M4, Steel, Ni Plated
PRESSURE PLATE	Steel, Ni Plated
TERMINAL	Brass, Tin Plated

TEMPERATURE

OPERATING	-40°C to +120°C -40°F to + 248°F
MAX. SOLDERING	260°C, +500°F for 5 seconds

ELECTRICAL DATA

ELECTRICAL RATING	300V, 20A
BREAKDOWN VOLTAGE	AC4,000V

Poles	L	Poles	L
02	20.00	17	170.00
03	30.00	18	180.00
04	40.00	19	190.00
05	50.00	20	200.00
06	60.00	21	210.00
07	70.00	22	220.00
08	80.00	23	230.00
09	90.00	24	240.00
10	100.00	25	250.00
11	110.00	26	260.00
12	120.00	27	270.00
13	130.00	28	280.00
14	140.00	29	290.00
15	150.00	30	300.00
16	160.00		

ORDERING INFORMATION

Type	Style	Poles	Color	Options*
BTB653	06	□□	□	M□
	00 to 99	02 to 30	0=Light Grey 1=Black 2=Blue 3=Green 4=Dark Grey	

If more than one option is required, please separate each option with a dash(-).