



TYPE BTB653

BARRIER TERMINAL BLOCK



Style 04

TECHNICAL DATA

WIRE ENTRANCE	Vertical to PCB
PITCH	10.00mm / 0.394in.
WIRE RANGE	12-26AWG
MAX. TORQUE	13 lb-in.

MATERIALS

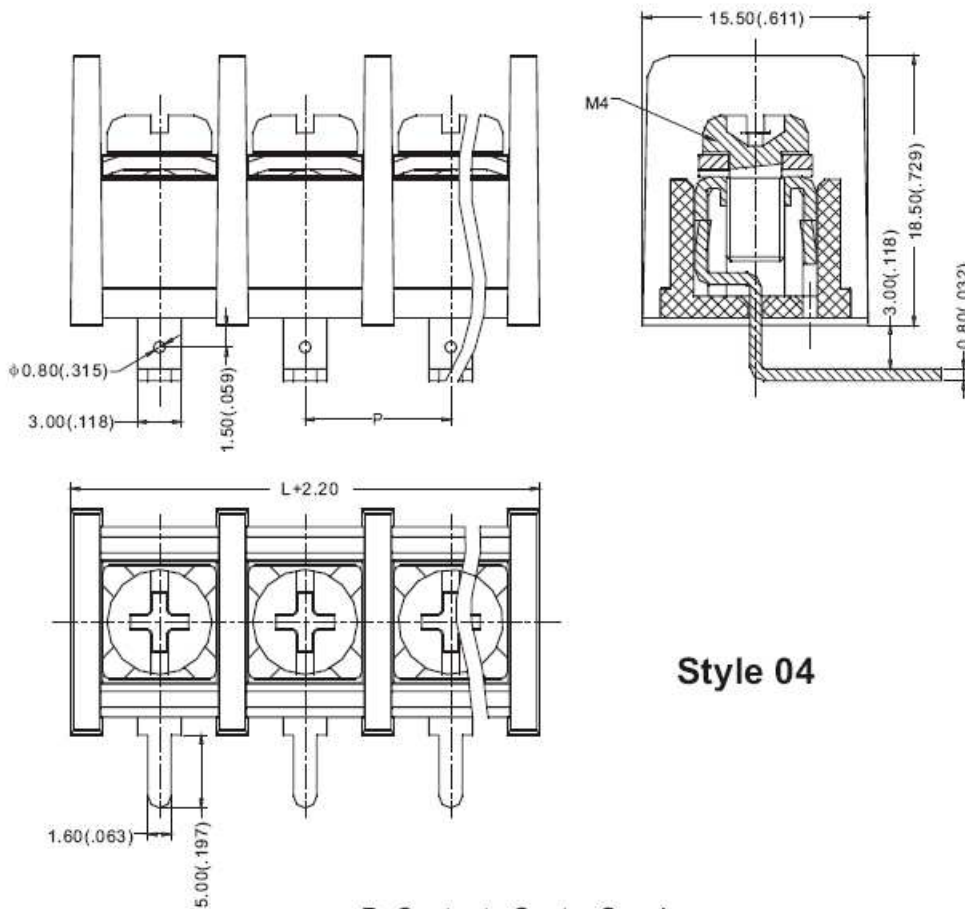
BODY	Polycarbonate, UL94, V-0 Self Extinguishing
SCREW	M4, Steel, Ni Plated
PRESSURE PLATE	Steel, Ni Plated
TERMINAL	Brass, Tin Plated

TEMPERATURE

OPERATING	-40°C to +120°C -40°F to + 248°F
MAX. SOLDERING	260°C, +500°F for 5 seconds

ELECTRICAL DATA

ELECTRICAL RATING	300V, 20A
BREAKDOWN VOLTAGE	4,000V



Style 04

P=Center to Center Spacing
L=number of Poles x Spacing
Dimensions: mm (in.)

ORDERING INFORMATION

Type	Style	Poles	Color	Options*
BTB653	— 04 —	<input type="checkbox"/> <input type="checkbox"/>	— <input type="checkbox"/> —	M <input type="checkbox"/>
	00 to 99	02 to 30	0=Light Grey 1=Black 2=Blue 3=Green 4=Dark Grey	

If more than one option is required, please separate each option with a dash(-).