



# TYPE BTB653

## BARRIER TERMINAL BLOCK



Style 03

### TECHNICAL DATA

WIRE ENTRANCE	Parallel to PCB
PITCH	10.00mm / 0.394in.
WIRE RANGE	12-26AWG
MAX. TORQUE	13lb-in.

### MATERIALS

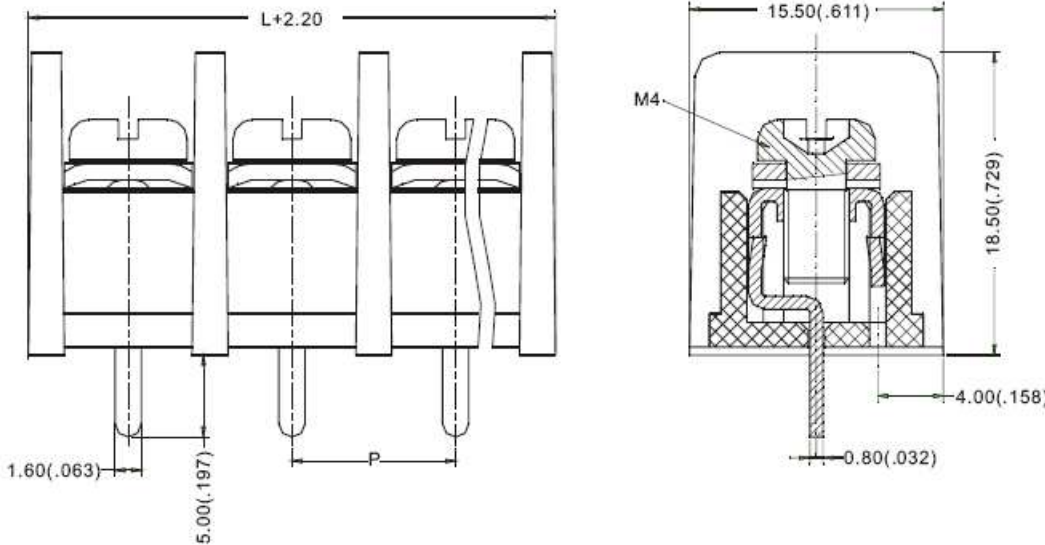
BODY	Polycarbonate, UL94, V-0 Self Extinguishing
SCREW	M4, Steel, Ni Plated
PRESSURE PLATE	Steel, Ni Plated
TERMINAL	Brass, Tin Plated

### TEMPERATURE

OPERATING	-40°C to +120°C -40°F to + 248°F
MAX. SOLDERING	260°C, +500°F for 5 seconds

### ELECTRICAL DATA

ELECTRICAL RATING	300V, 20A
BREAKDOWN VOLTAGE	4,000V



Style 03

P=Center to Center Spacing  
L=number of Poles x Spacing  
Dimensions: mm (in.)

## ORDERING INFORMATION

Type	Style	Poles	Color	Options*
<b>BTB653</b>	— <b>0</b> <b>3</b>	— <input type="text"/> <input type="text"/>	— <input type="text"/>	— <b>M</b> <input type="text"/>
	00 to 99	02 to 30	0=Light Grey 1=Black 2=Blue 3=Green 4=Dark Grey	

If more than one option is required, please separate each option with a dash(-).