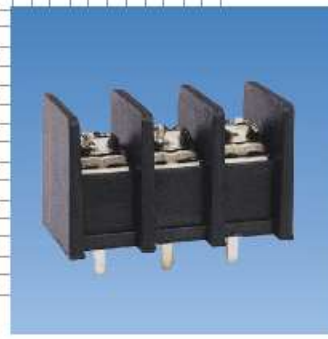


**BARRIER  
TERMINAL BLOCK**



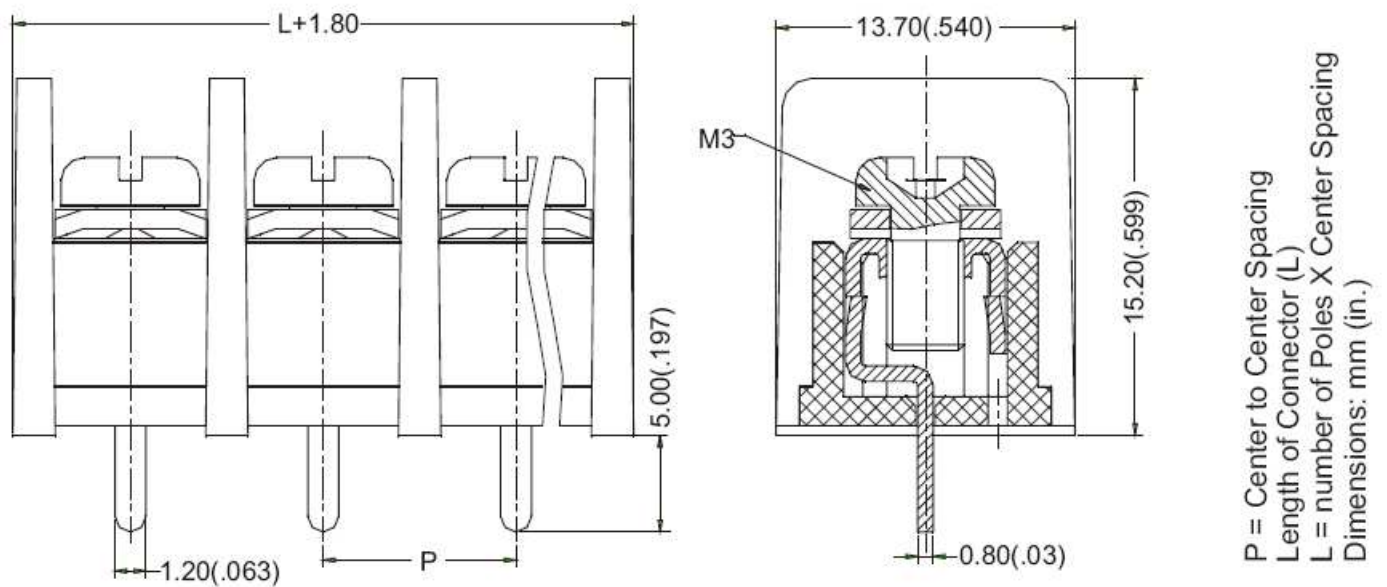
**TYPE BTB651**



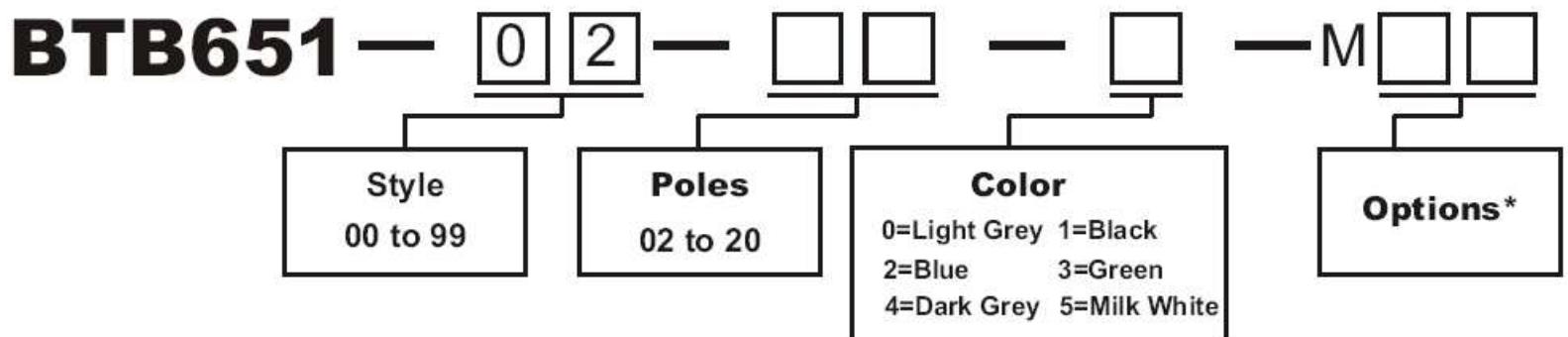
**SPECIFICATIONS**

WIRE ENTRANCE: .....Parallel to PCB	MAX. TORQUE: .....7 lb-in.
CENTER SPACING: .....7.62mm / 0.300in.	PRESSURE PLATE:.....Steel, Ni Plated
WIRE RANGE: .....14–22 AWG	SCREW: ..... M3, Steel, Ni Plated
ELECTRICAL RATING: .....300V, 10A	TERMINAL : .....Brass, Tin Plated
BREAKDOWN VOLTAGE: .....4,000V	OPERATING: .....-40°C to +120°C
MOLDING: .....Thermoplastic, UL94, V-0 Self Extinguishing	MAX. SOLDERING: .....260°C , +500°F for 5 seconds

**MECHANICAL DIMENSIONS**



**ORDERING INFORMATION**



**Options\*:** M1~M9, For Customer Modification (Please provide sketch).  
If more than one option is required, please separate each option with a dash (-).