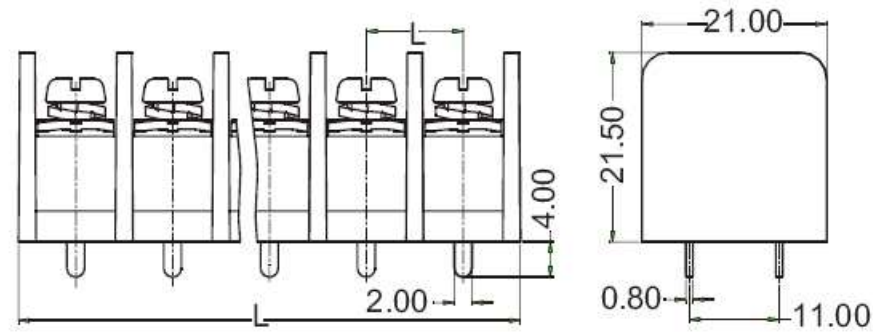




BTB550-10-M1



P=Pitch

L=PxPoles+2.0

TECHNICAL DATA E183240

PITCH	11.10mm.
WIRE RANGE	24--10AWG
MAX. TORQUE	13lb-in.
ELECTRICAL RATING	600V, 40A
BREAKDOWN VOLTAGE	6,000V

MATERIALS

BODY	PBT,UL94,V-0
SCREW	M4,STEEL,NICKEL PLATED
TERMINAL BODY	BRASS,TIN PLATED

OPERATING	-40°C ~ +120°C
PCB HOLE DIAMETER	ø2.35mm

PxPoles	L	PxPoles	L
02	24.20	18	201.80
03	35.30	19	212.90
04	46.40	20	224.00
05	57.50	21	235.10
06	68.60	22	246.20
07	79.70	23	257.30
08	90.80	24	268.40
09	101.90		
10	113.00		
11	124.10		
12	135.20		
13	146.30		
14	157.40		
15	168.50		
16	179.60		
17	190.70		

ORDERING INFORMATION

