



**BARRIER  
TERMINAL BLOCK**

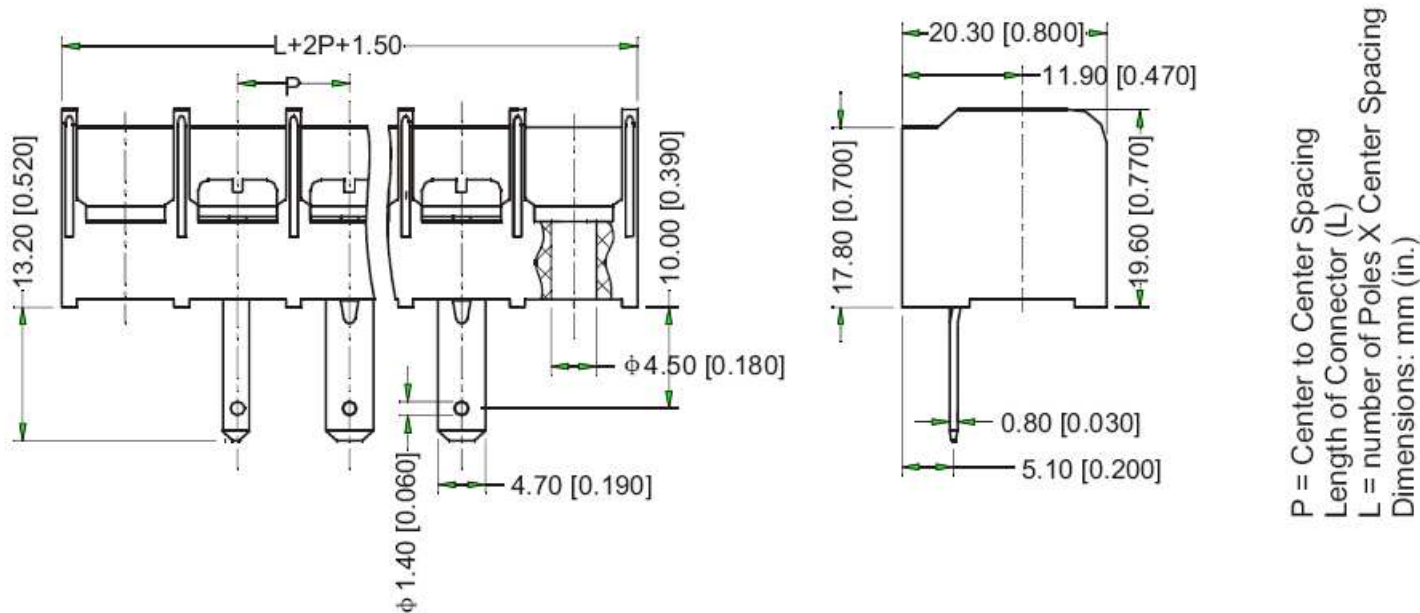
**TYPE BTB550**



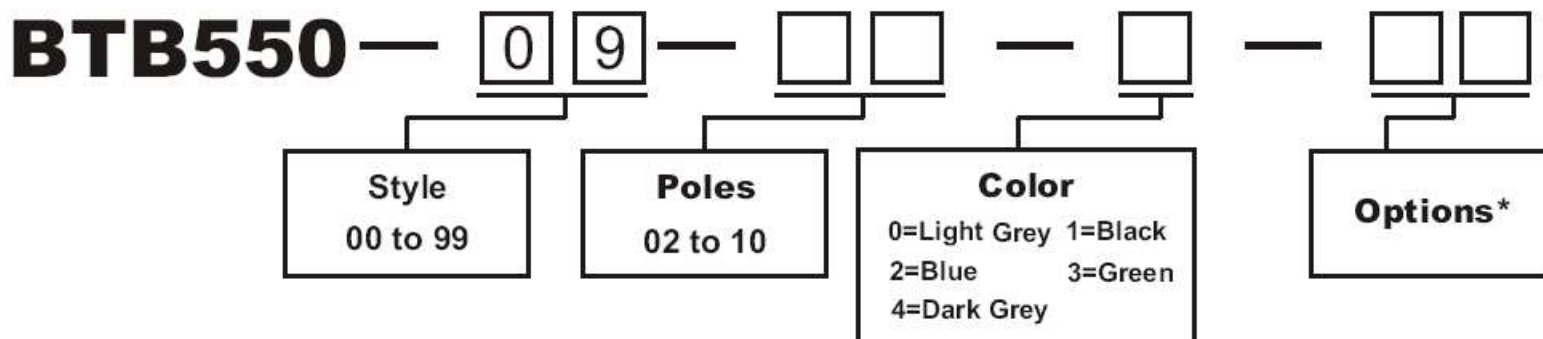
**SPECIFICATIONS**

WIRE ENTRANCE: .....Parallel to PCB	MAX. TORQUE: .....13 lb-in.
CENTER SPACING: .....11.125mm	PRESSURE PLATE:.....Steel, Ni Plated
WIRE RANGE: .....10–24 AWG	SCREW: .....M4, Steel, Ni Plated
ELECTRICAL RATING: .....300V, 30A	TERMINAL BODY: .....Brass, Tin Plated
BREAKDOWN VOLTAGE: .....4,000V	OPERATING: .....-40°C to +105°C
MOLDING: .....Pa66, UL94, V-0 Self Extinguishing	-40°F to + 248°F
	MAX. SOLDERING: .....260°C , +500°F for 5 seconds

**MECHANICAL DIMENSIONS**



**ORDERING INFORMATION**



**Options\*:** M1~M9, For Customer Modification (Please provide sketch).  
 If more than one option is required, please separate each option with a dash (-).