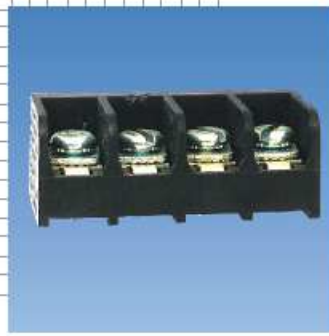


**BARRIER
TERMINAL BLOCK**

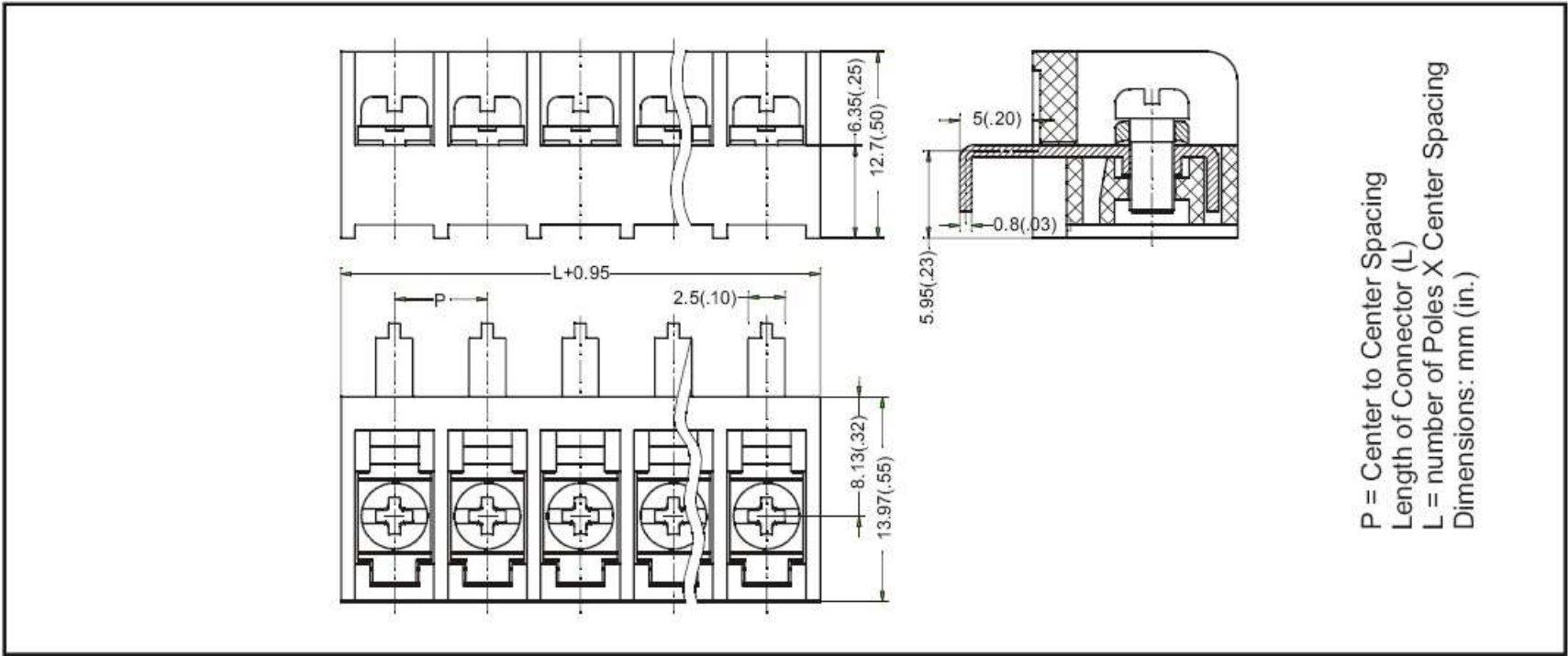


**TYPE BTB450
SPECIFICATIONS**

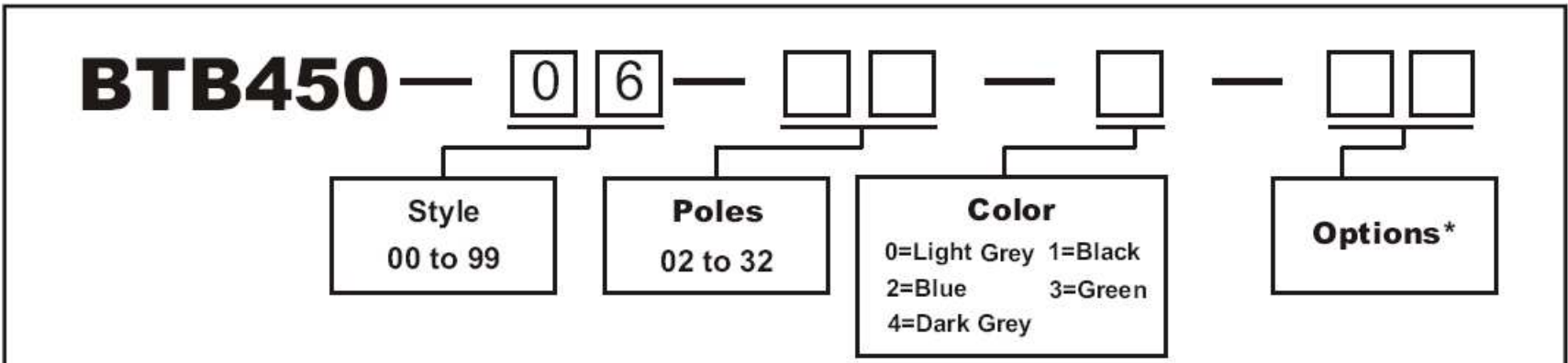


WIRE ENTRANCE:Parallel to PCB	MAX. TORQUE:5lb-in.
CENTER SPACING:6.35mm / 0.25 in	PRESSURE PLATE:.....Steel, Ni Plated
WIRE RANGE:18-22 AWG	SCREW: M3, Steel, Ni Plated
ELECTRICAL RATING:300V, 10A	TERMINAL BODY:Brass, Tin Plated
BREAKDOWN VOLTAGE:4.000V	OPERATING:-40°C to +120°C
MOLDING:PBT+GF15%, UL94, V-0 Self Extinguishing	-40°F to + 248°F
	MAX. SOLDERING:260°C , +500°F for 5 seconds

MECHANICAL DIMENSIONS



ORDERING INFORMATION



Options*: M1~M9, For Customer Modification (Please provide sketch).
If more than one option is required, please separate each option with a dash (-).