

**BARRIER  
TERMINAL BLOCK**



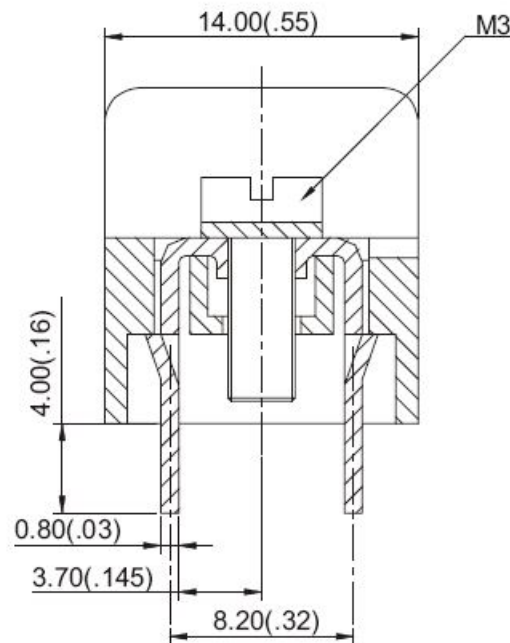
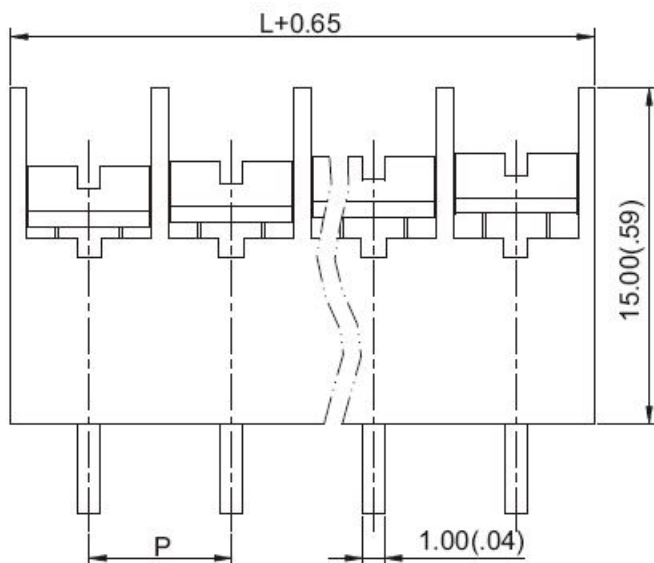
**TYPE BTB450**



**SPECIFICATIONS**

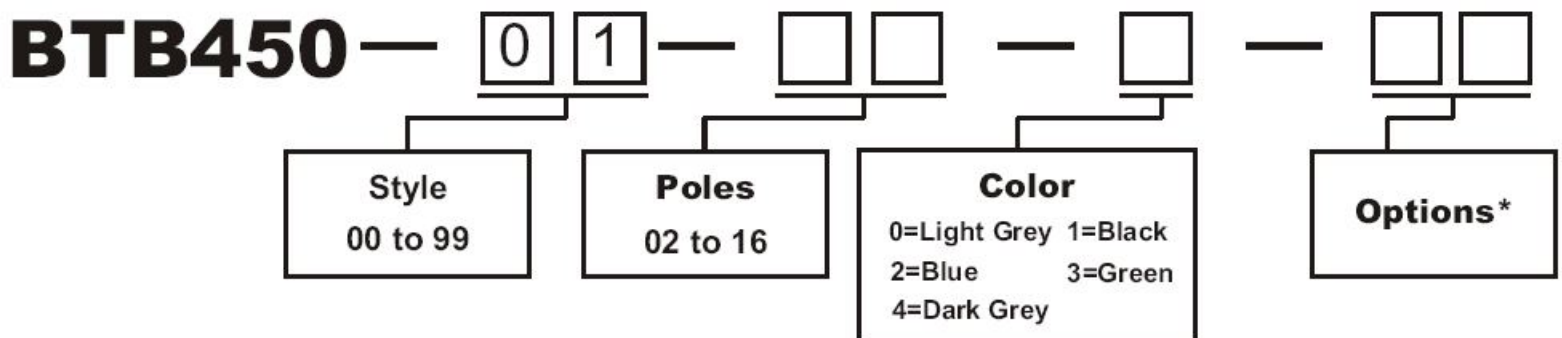
WIRE ENTRANCE: .....Parallel to PCB	MAX. TORQUE: .....5 lb-in.
CENTER SPACING: .....6.35mm	PRESSURE PLATE:.....Steel, Ni Plated
WIRE RANGE: .....18--22 AWG	SCREW: ..... M3, Steel, Ni Plated
ELECTRICAL RATING: .....300V, 10A	TERMINAL BODY: .....Brass, Tin Plated
BREAKDOWN VOLTAGE: .....4,000V	OPERATING: .....-40°C to +105°C
MOLDING: .....Polyamide, UL94, V-0	-40°F to + 221°F
Self Extinguishing	MAX. SOLDERING: .....260°C , +500°F
	for 5 seconds

**MECHANICAL DIMENSIONS**



P = Center to Center Spacing  
 L = Length of Connector (L)  
 L = number of Poles X Center Spacing  
 Dimensions: mm (in.)

**ORDERING INFORMATION**



**Options\*:** M1~M9, For Customer Modification (Please provide sketch).  
 If more than one option is required, please separate each option with a dash (-).